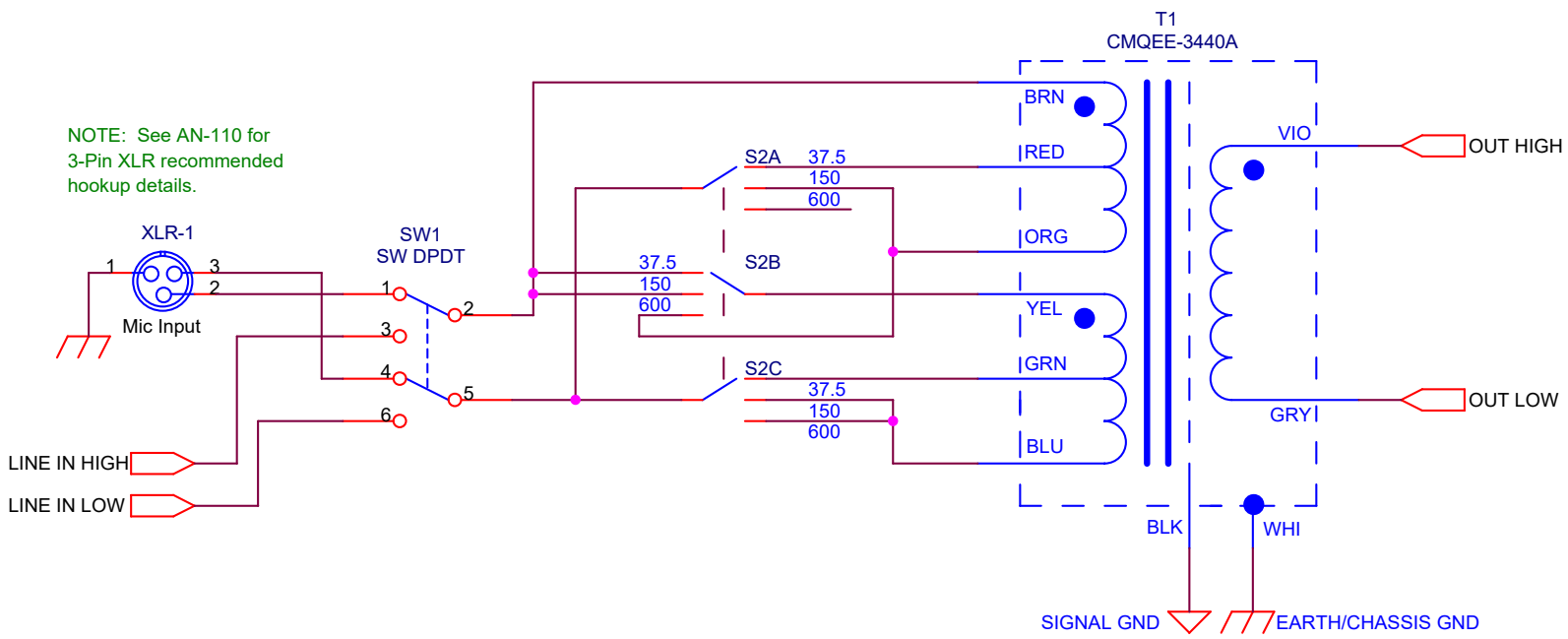
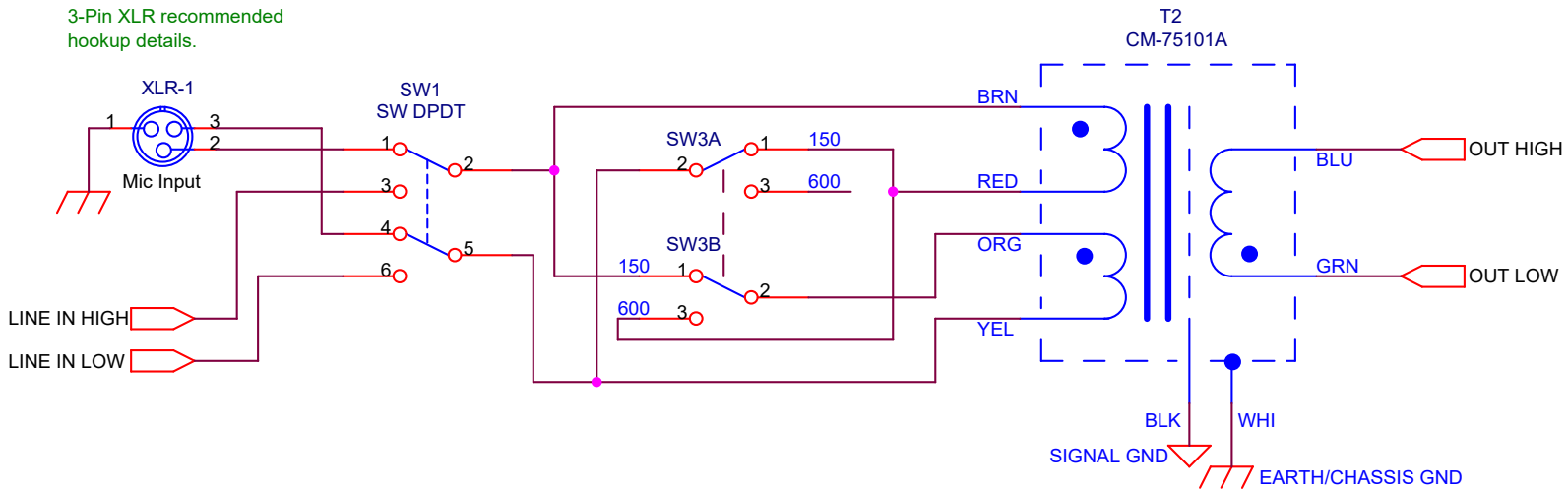


NOTE: See AN-110 for 3-Pin XLR recommended hookup details.



NOTE: See AN-110 for 3-Pin XLR recommended hookup details.



Title		
Impedance Switching For 2-Winding Microphone Input Transformers		
Size	Document Number	Rev
A	AN-111	A
Date:	Thursday, October 26, 2017	Sheet 1 of 1