



# CM-1272

## “Direct Box” Transformer 11.5 : 1+1 Step-down

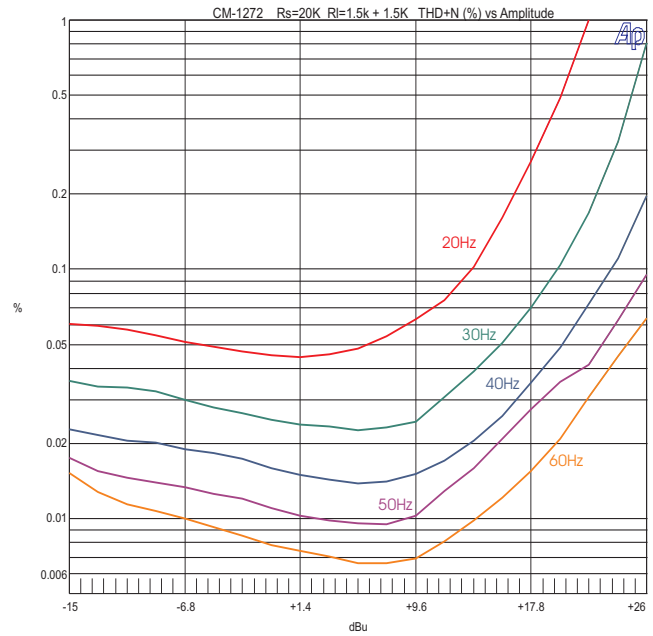
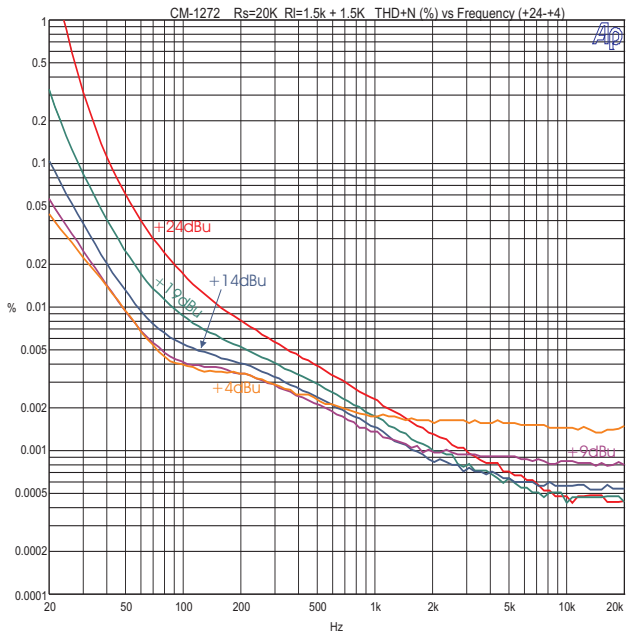
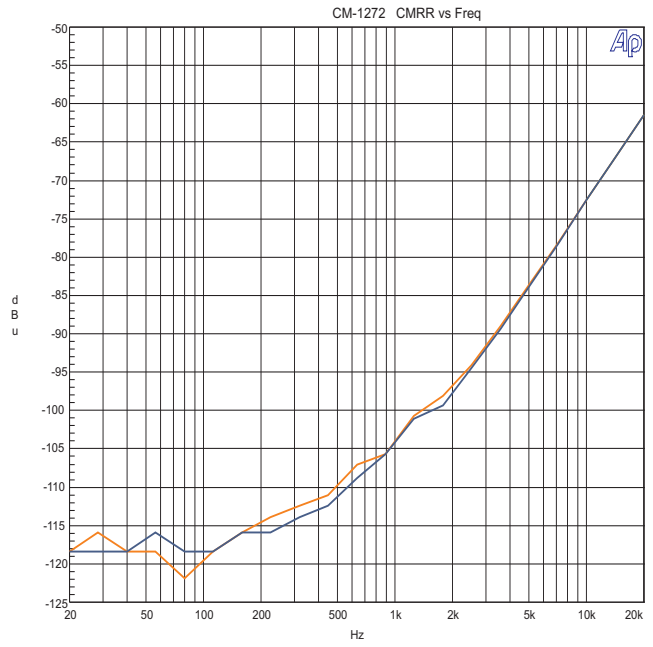
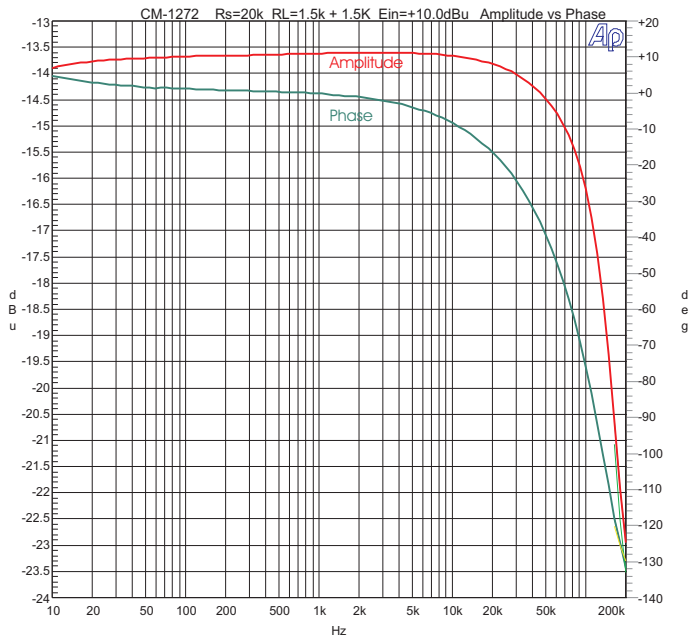
- Converts balanced or unbalanced line level to two (2) balanced microphone level outputs
- Feeds long cables without high frequency loss problems
- Helps to eliminate hum problems in musical instrument hookups
- Excellent CMRR: 115 dB at 60 Hz, 105 dB at 1 kHz
- Very wide bandwidth and low phase shift
- Lead packages

The CineMag CM-1272 dual output “Direct Box” transformer provides an excellent solution for the problem of controlling hum and buzz with feeds from musical instruments. It can be driven from moderately high impedance as well as low impedance sources. It exhibits excellent bandwidth, very low phase shift, excellent common mode rejection ratio (CMRR), and very good distortion characteristics. The CM-1272 is encased in a  $\mu$ Metal can which provides 30 dB of magnetic shielding. As with all CineMag transformers, the wires to the internal Faraday shield foils between windings are spot welded for maximum long term reliability.

### CM-1272

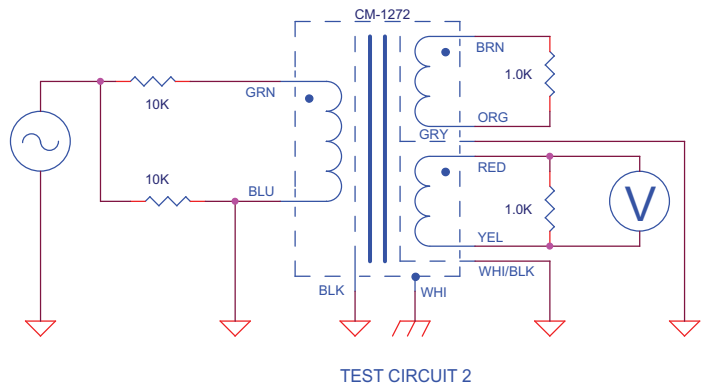
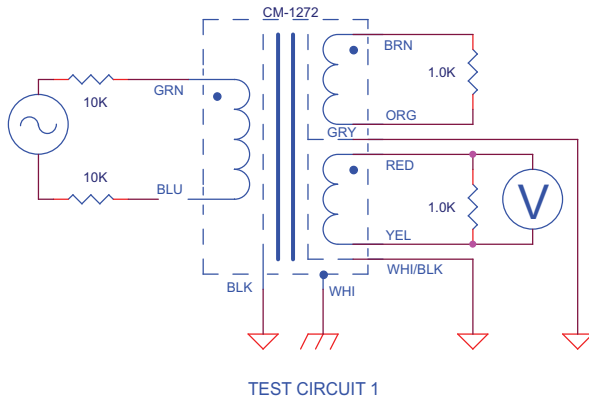
Parameter	Conditions	Typ
Turns Ratio		11.52 : 1
Voltage Gain	1 kHz, +4 dBu, 20K source impedance, 1K secondary load impedances	-23.6 dBu
Distortion (THD+N%)	1 kHz, +24 dBu Test Circuit 1	0.0025%
	20 Hz, +4 dBu Test Circuit 1	0.05%
Max 20 Hz input level	1.0% THD; 6.8K source impedance, 1K secondary load impedance. Test Circuit 1	+21.5 dBu
Response, ref 1 kHz	20 Hz +4 dBu Test Circuit 1	-0.2 dB
	20 kHz +4 dBu Test Circuit 1	-0.1 dB
	-3 dB	100 kHz
Phase Shift at 20 Hz	Referenced to source generator Test Circuit 1	+2°
Phase Shift at 20 kHz		-16°
CMRR	60 Hz Test Circuit 2 per IEE Std 389-1996 ¶19	115 dB
	1 kHz Test Circuit 2 per IEE Std 389-1996 ¶19	105 dB
Operating Temp Range	Operation and storage	0° C Min 70° C Max

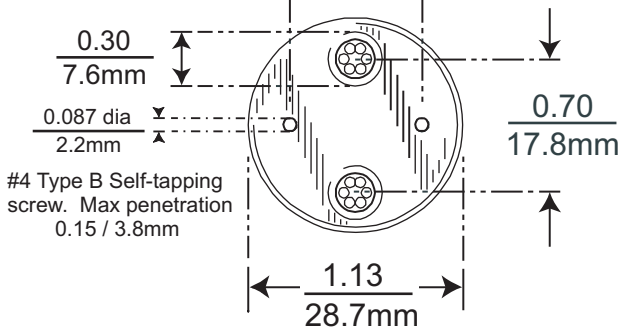
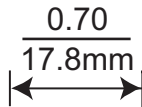
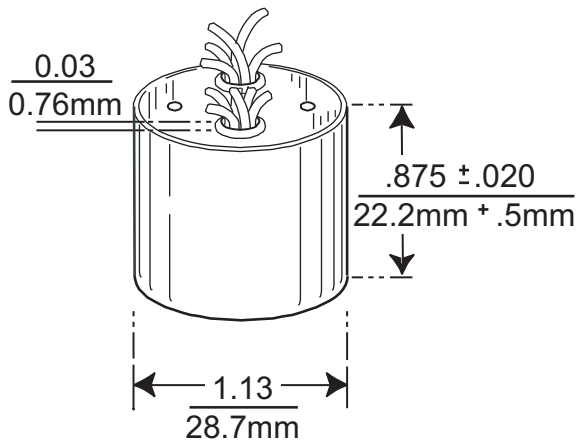
9050 Independence Ave. Canoga Park, California 91304 ☎(818) 993-4644 ✉ [cinemag@att.net](mailto:cinemag@att.net) <http://www.cinemag.biz>



**NOTES:**

1. All graphs generated from one (1) randomly chosen device. No statistical averaging or weighting. Data from one sweep.





4-40 STUD

