



Superior Magnetics Since 1979



## CMLI-4x150D

### “Repeat Coil” Transformer

#### 1 : 1 Split Winding

- Line Bridging In/Out - Split Primary and Secondary Windings
- Faraday shielding between Primary and Secondary
- Insertion loss of 1.9 dB in 600  $\Omega$  to 600  $\Omega$  hookup
- Excellent bandwidth (-1.6 dB at 200 kHz)
- Excellent CMRR: 105 dB at 60 Hz
- Input levels up to +22 dBu at 20 Hz
- Threaded bushing mount or stud mount

The CineMag CMLI-4x150D is a popular line bridging transformer. A typical use is for long line isolation, for example at live performance venues to eliminate ground loop problems. It has excellent bandwidth, very good common mode rejection ratio (CMRR), and distortion characteristics. It is encased in a  $\mu$ Metal can which provides 30 dB of magnetic shielding. The threaded boss package allows for rotation to help null out any residual magnetic interference. To obtain the performance level of the CMLI-4x150D it is highly interleaved, and thus has many shield foils. All of the wires from these internal shields are spot welded to assure long term reliability, as is done with all CineMag transformers.

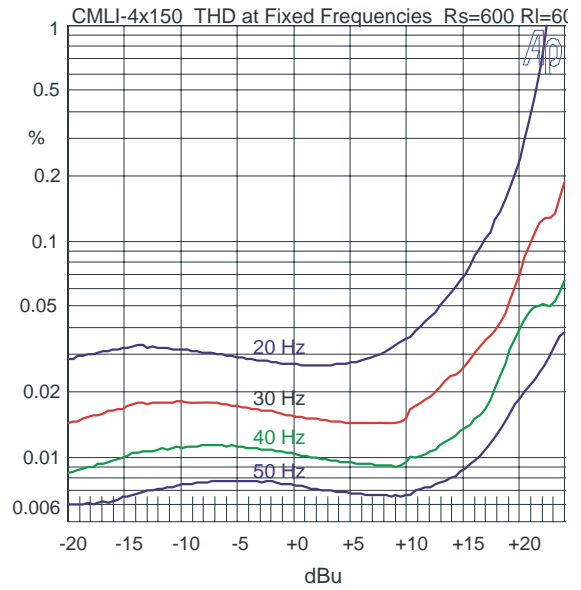
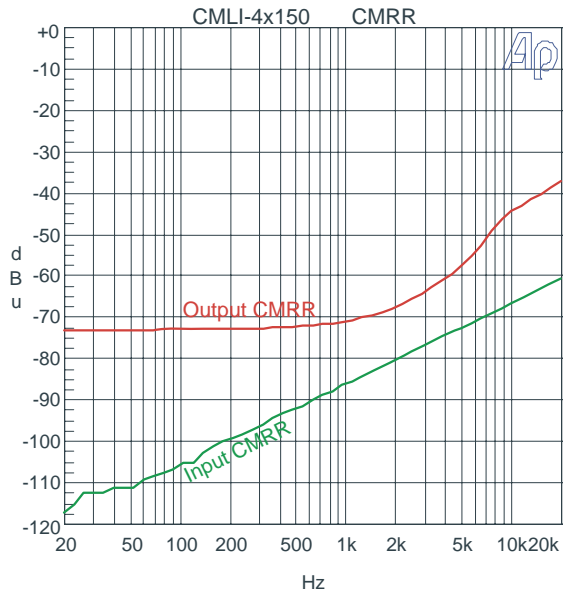
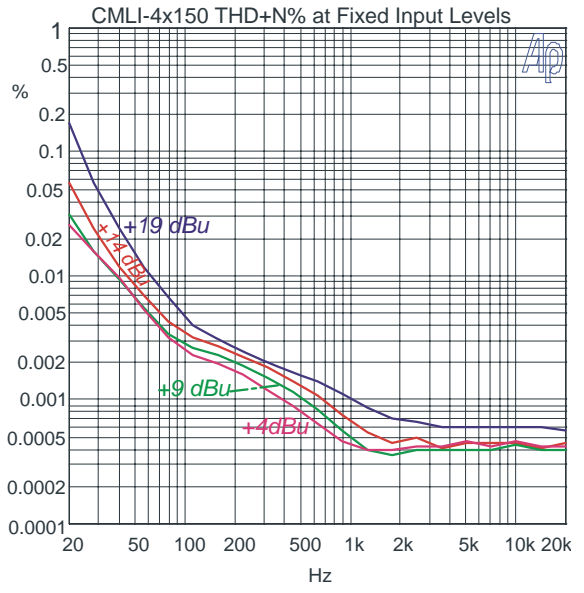
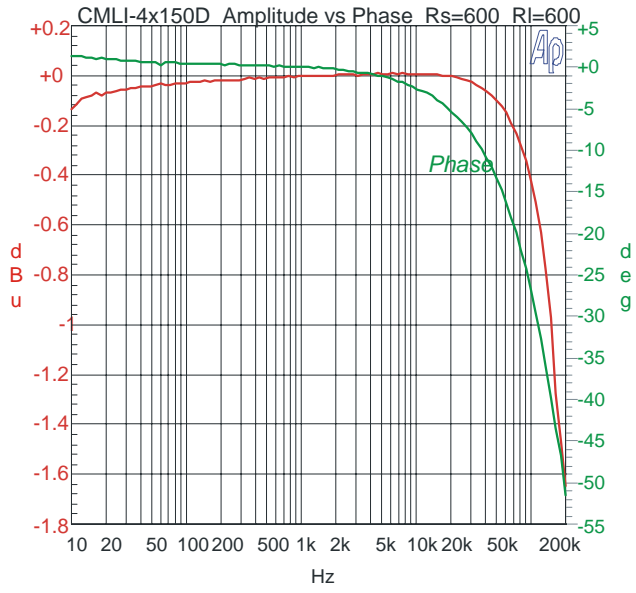
### CMLI-4x150D

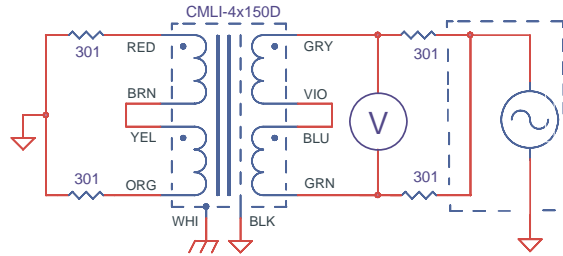
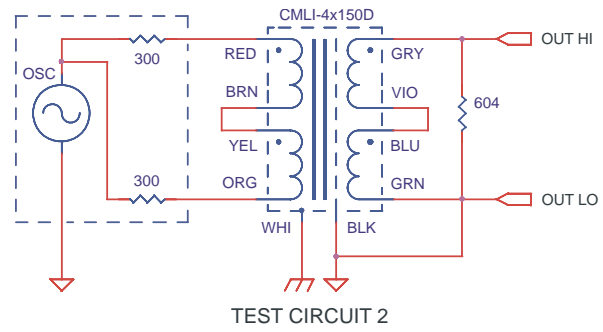
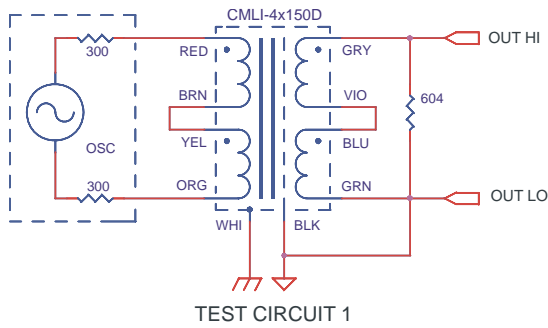
Parameter	Conditions	Typ
Turns Ratio		1 : 1.00
Voltage Gain	1 kHz Rs=600 RI=600 Test Circuit 1	-1.9 dBu
Distortion (THD+N%)	1 kHz, +4 dBu Test Circuit 1, Rs=600 20 Hz, +4 dBu Test Circuit 1, Rs=600	0.0005% 0.03%
Max 20 Hz input level	1.0% THD+N; Rs=600 $\Omega$ Test Circuit 1	+22dBu
Response, ref 1 kHz	20 Hz +4 dBu Test Circuit 1 20 kHz +4 dBu Test Circuit 1 -1.6 dBu	-0.08 dBu -0.01 dBu 200 kHz
Phase Shift at 20 Hz Phase Shift at 20 kHz	Referenced to source generator Test Circuit 1	+3° -5°
Input CMRR	60 Hz Test Circuit 2 per IEEE Std 389-1996 ¶19 3kHz Test Circuit 2 per IEEE Std 389-1996 ¶19	109 dB 75 dB
Output CMRR	60 Hz Test Circuit 3 3kHz Test Circuit 3	72 dB 65 dB
Operating Temp Range	Operation and storage	0° C Min 70° C Max

9050 Independence Ave. Canoga Park, California 91304

☎(818) 993-4644 ☒(818) 993-4604

<http://www.cinemag.biz>





NOTES:

1. All graphs generated from one (1) randomly chosen device. No statistical averaging or weighting. Data from one sweep.  $R_L = 604$  unless otherwise noted.

