

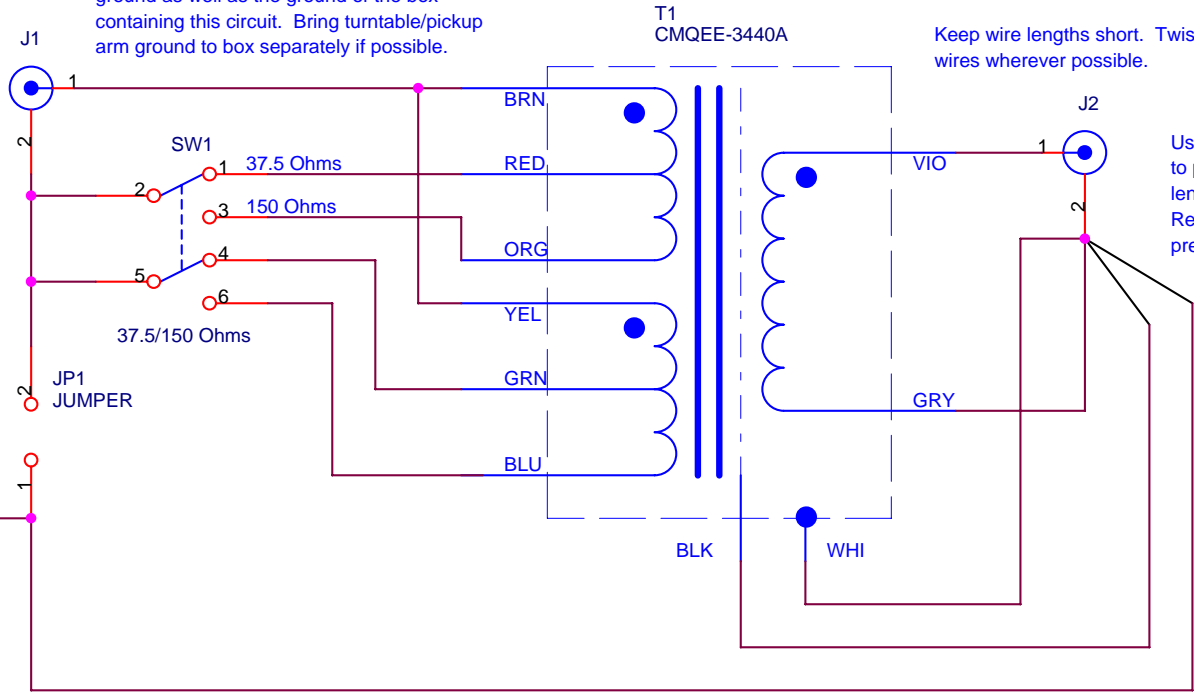
Best if J1 isolated from turntable/pickup arm ground as well as the ground of the box containing this circuit. Bring turntable/pickup arm ground to box separately if possible.

Keep wire lengths short. Twist wires wherever possible.

Use low capacitance cable to connect to phono preamp input jack. Keep length as short as feasible. Remember that the input Z of the preamp typically is 47K.

Jumper if there is no separate turntable/pickup arm ground.

Turntable/pickup arm ground >>>



Title		
CMQEE-3440A Moving Coil Hookup		
Size	Document Number	Rev
A	AN-Unassigned	A
Date: Monday, November 13, 2006		Copyright Cinemag 2006
Sheet 1 of 1		