

For output impedance of 600 Ohms, tie GREEN to BLUE. Use YELLOW and VIOLET for outputs. GREEN/BLUE may be used for center tap.

For output impedance of 150 Ohms, tie BLUE to YELLOW and VIOLET to GREEN.



Title			
Langevin AM16 Preamp			
Size	Document Number	Copyright	Rev
B	AN-107	2010	A
Date:	Tuesday, November 16, 2010	Sheet	1 of 1

"Langevin" is a trademark of Manley Laboratories, Inc.

5

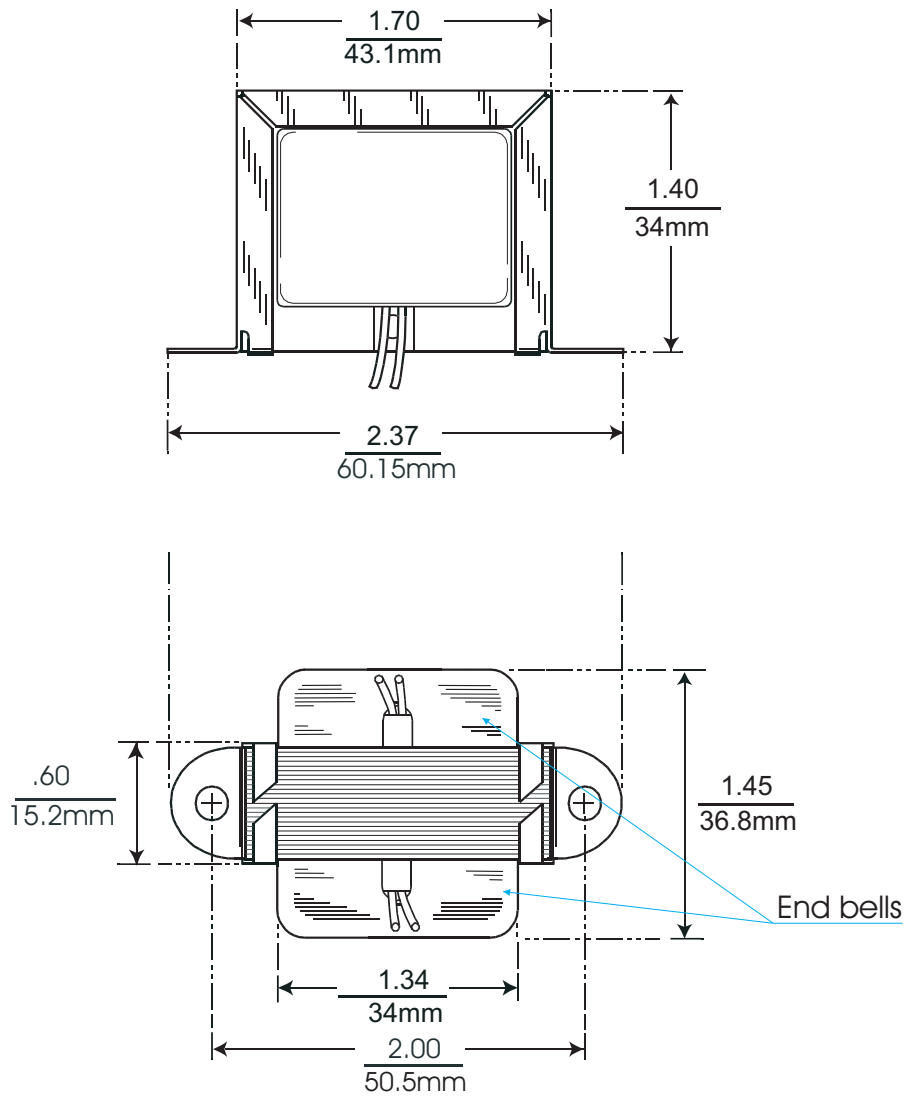
4

3

2

1

CM-2812
With End Bells



CM-28122 - No end bells

