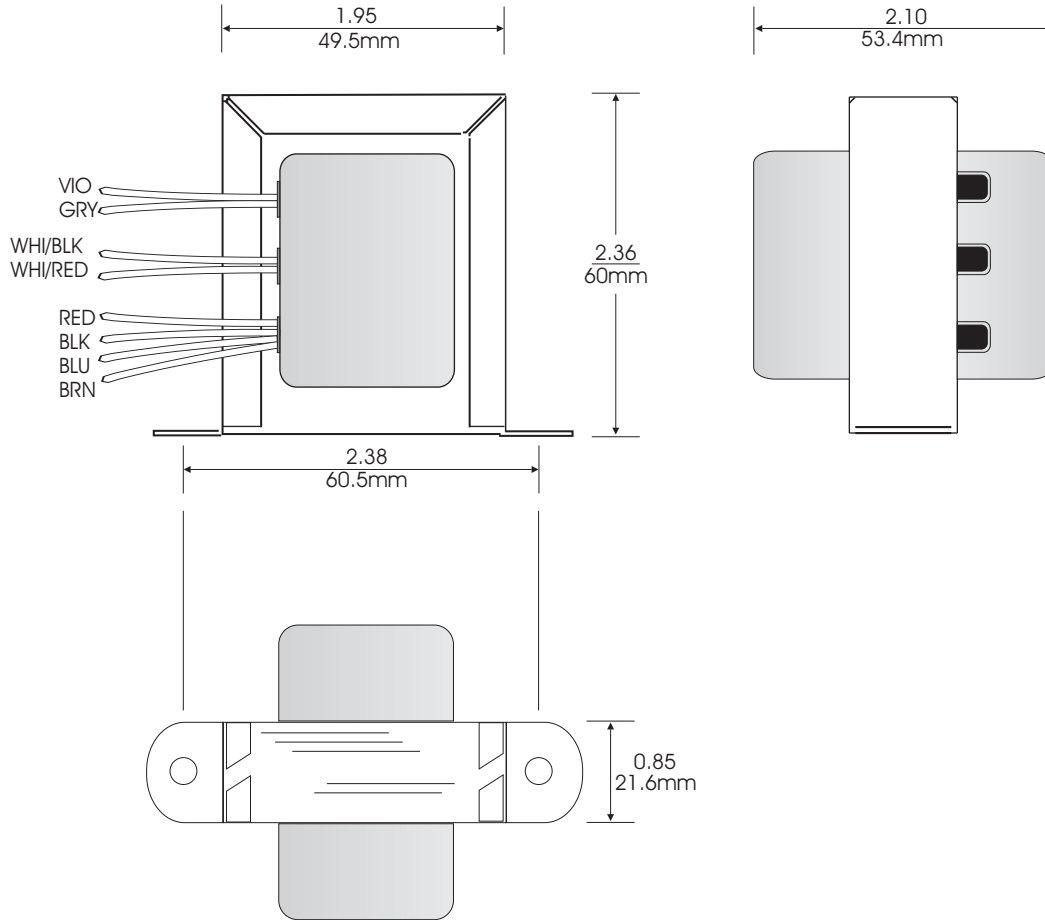
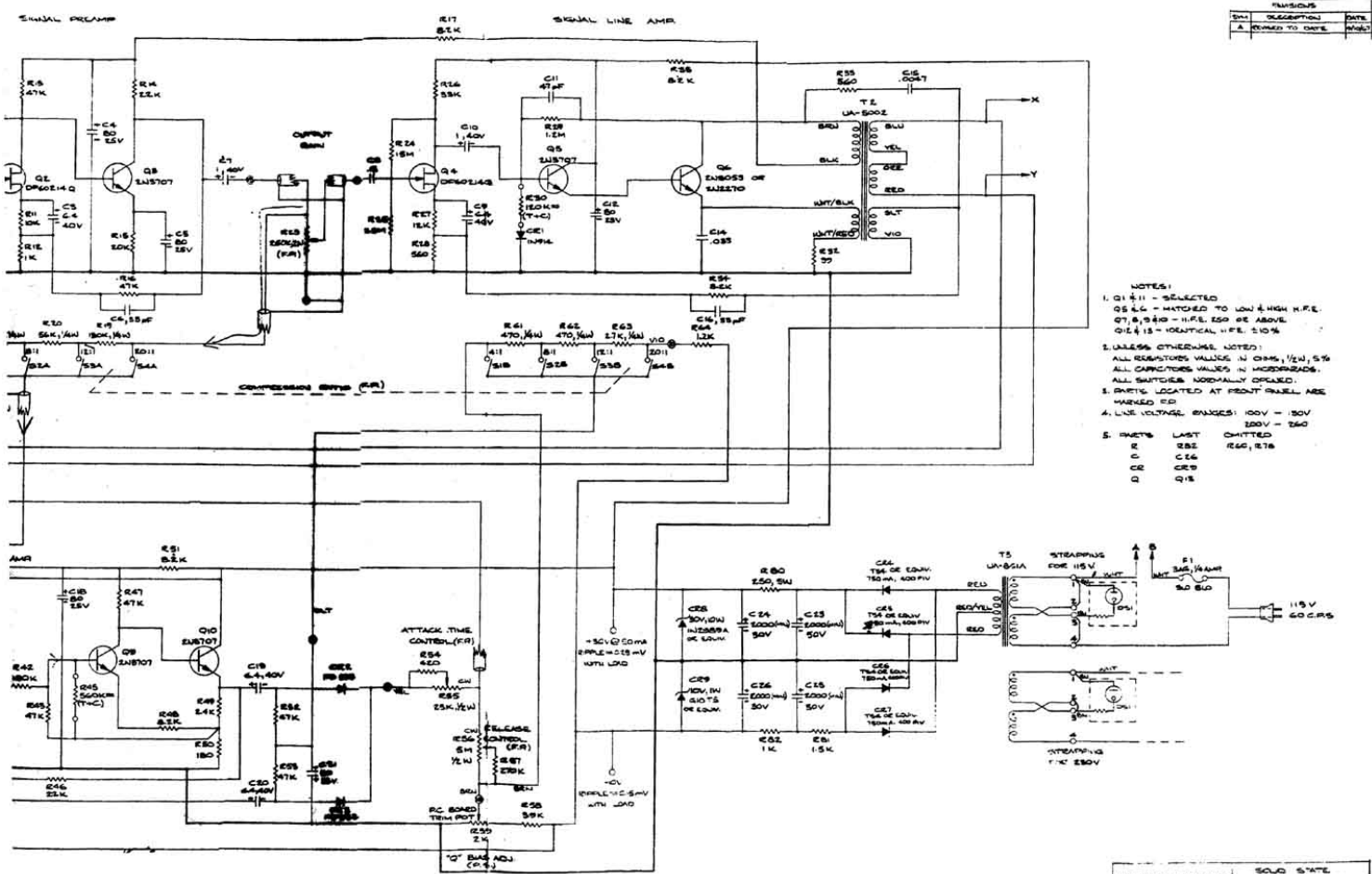


CM-96731 - Universal Audio 1176 Output Transformer Replacement



REVISIONS		
NO.	DESCRIPTION	DATE
A	ISSUED TO DATE	



- NOTES:
- Q1-Q6 - SELECTED
Q5 & Q6 - MATCHED TO LOW & HIGH H.F.E.
Q7, 8, 9 & 10 - H.F.E. 850 OR ABOVE
Q1 & Q2 - IDENTICAL H.F.E. 110%
 - UNLESS OTHERWISE NOTED:
ALL RESISTORS VALLIDE IN OHMS, 1/2W, 5%
ALL CAPACITORS VALLIDE IN MICROFARADS.
ALL SWITCHES NORMALLY OPENED.
3. PARTS LOCATED AT FRONT PANEL ARE HARDED TO
 - A. LINE VOLTAGE RANGES: 100V - 150V
200V - 250V
 5. PARTS LAST CHANGED
R R25 R26, R28
C C26
CR CR9
Q Q18

UNIVERSAL AUDIO DIV. SOLID STATE
3710 HOLLWOOD BLVD. HOLLYWOOD, CALIF. 91601
1972 4-10-72
NO. HOLLWOOD CALIF 91601
R-10743