



Superior Magnetics Since 1979



CMMS-4

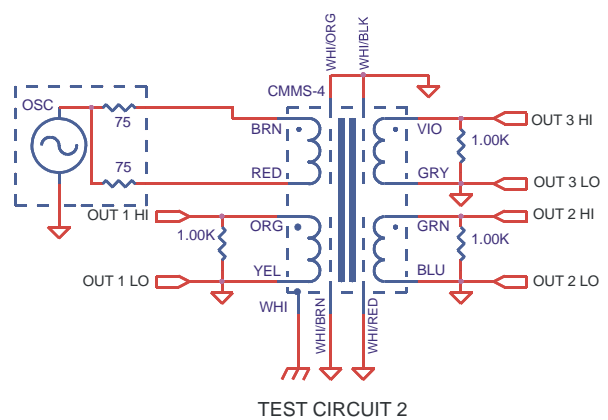
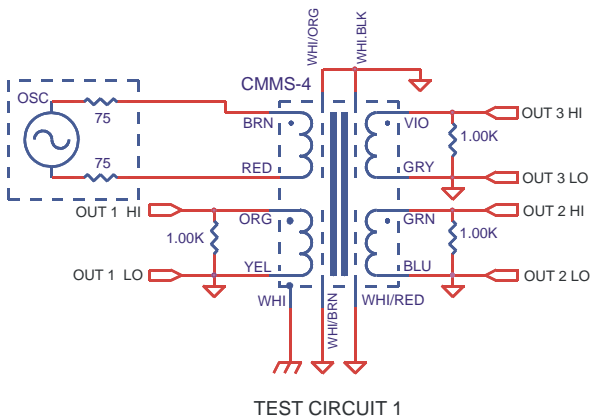
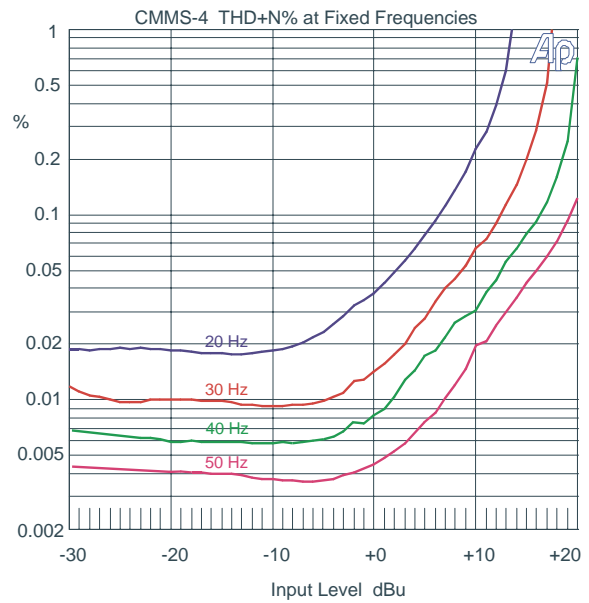
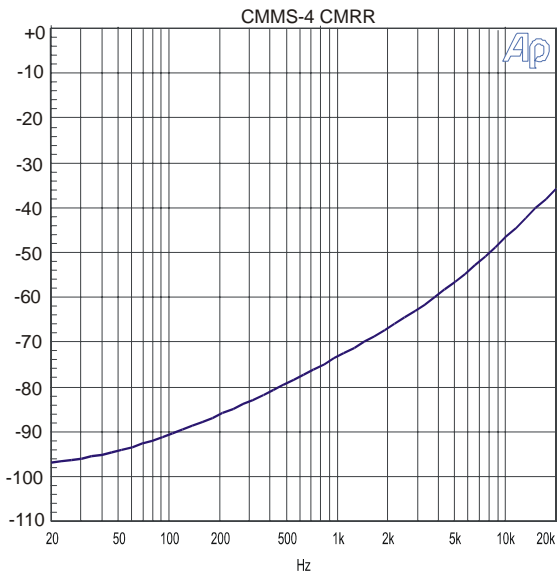
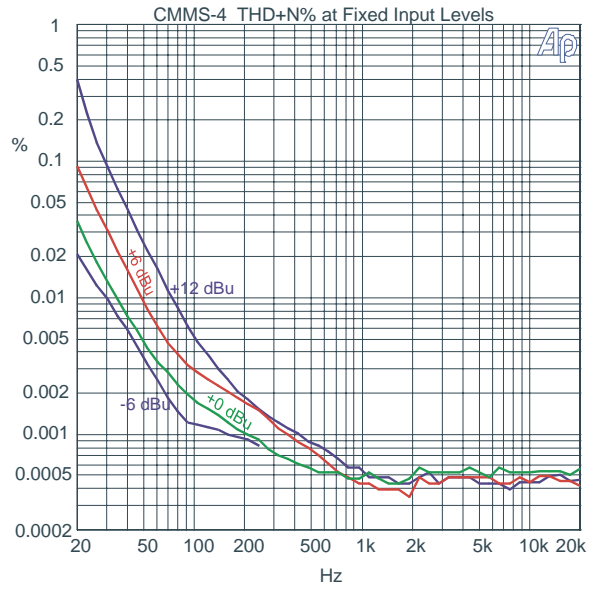
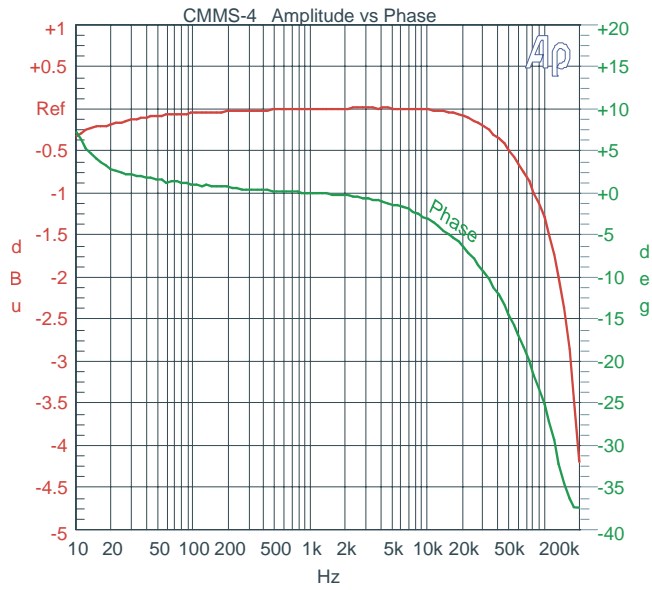
Microphone Bridging Transformer Quad Independent Faraday Shields

- 1 input - 3 Isolated Outputs
- Stops ground loop problems
- Excellent bandwidth (-3 dB at 180 kHz)
- Very Good CMRR: 92 dB at 60 Hz

The CineMag CMMS-4 is a popular solution to the problem of feeding multiple amplifiers from one 150Ω microphone. The secondaries are designed to be loaded by the 1K impedance which is typical for microphone preamps. It exhibits excellent bandwidth, common mode rejection ratio (CMRR), and distortion characteristics. Each winding has its own independent Faraday shield for excellent isolation. It is encased in a μMetal can providing 30 dB of magnetic shielding. As with all CineMag transformers, the wires from the internal foil shields between windings are all spot welded for maximum long term reliability.

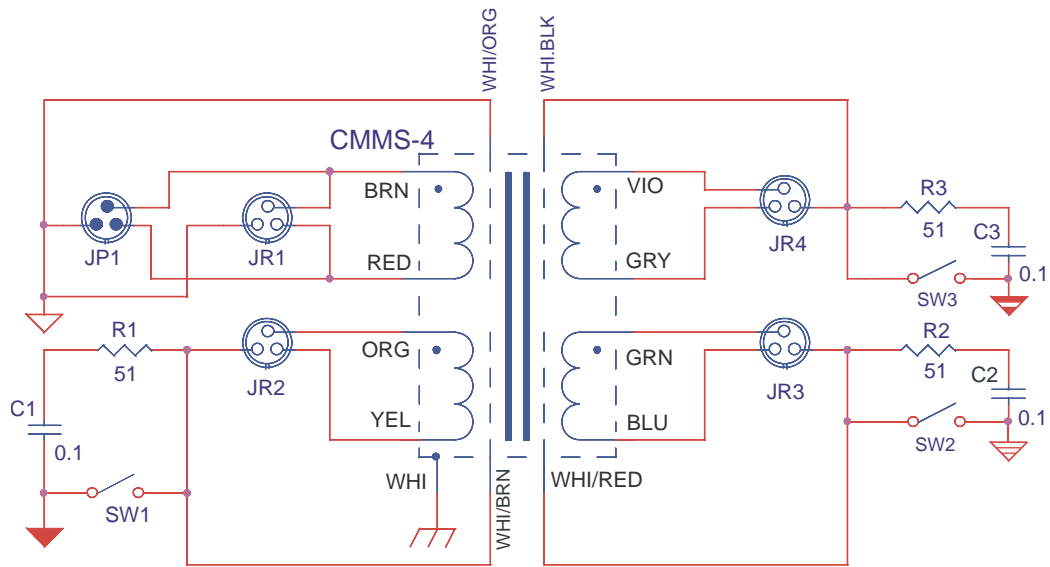
CMMS-4

Parameter	Conditions	Typ
Turns Ratio		1 : 1.00 : 1.00 : 1.00
Voltage Gain	1 kHz, +4 dBu 150Ω input, 1.0K secondary load impedance	-2.2 dB
Distortion (THD+N%)	1 kHz, +12 dBu Test Circuit 1 20 Hz, -6 dBu Test Circuit 1	<0.0005% 0.02%
Max 20 Hz input level	1.0% THD+N% 150 Ω input, 1.0K secondary load impedance 0.5% THD+N% 150 Ω input, 1.0K secondary load impedance Test Circuit 1	+13 dBu +12 dBu
Response, ref 1 kHz	20 Hz -16 dBu Test Circuit 1 20 kHz -16 dBu Test Circuit 1 -3 dB	-0.35dB -0.2 dB 180 kHz
Phase Shift at 20 Hz Phase Shift at 20 kHz	Referenced to source generator Test Circuit 1	+2° -7°
CMRR	60 Hz Test Circuit 2 per IEE Std 389-1996 ¶19 1 kHz Test Circuit 2 per IEE Std 389-1996 ¶19	94 dB 74 dB
Operating Temp Range	Operation and storage	0° C Min 70° C Max



NOTES:

1. All graphs generated from one (1) randomly chosen device. No statistical averaging or weighting. Data from one sweep.



TYPICAL APPLICATION

