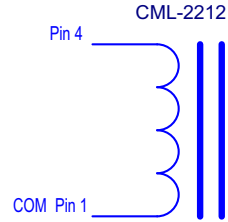
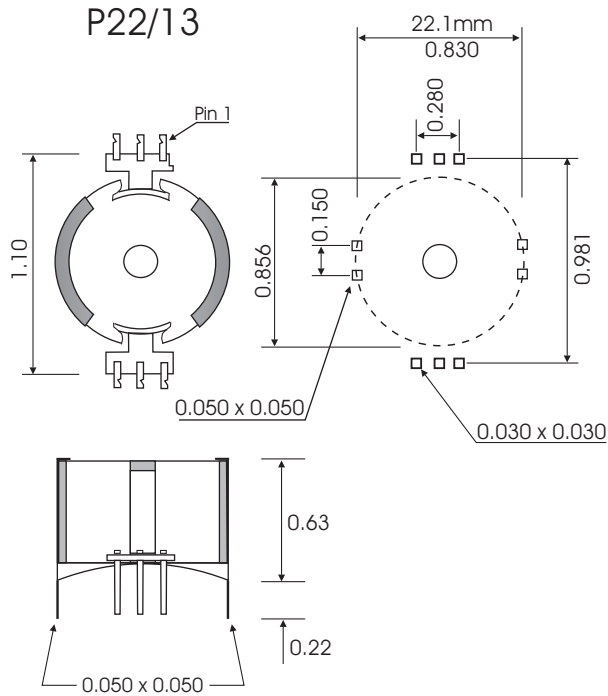


CML-2212

24.2, 44.3, 76, 106, 148, 280, 409, 806mH



CML-2212

2.42, 4.09H

