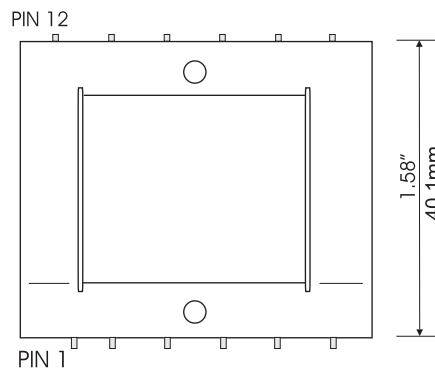
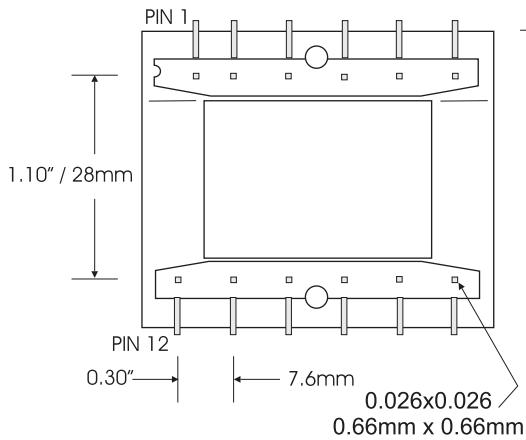
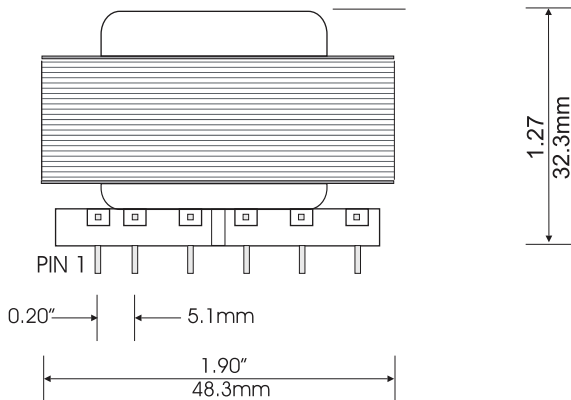
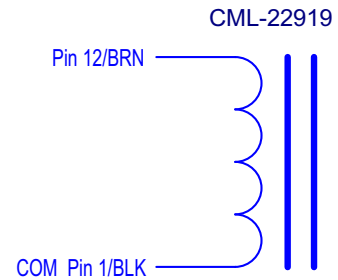
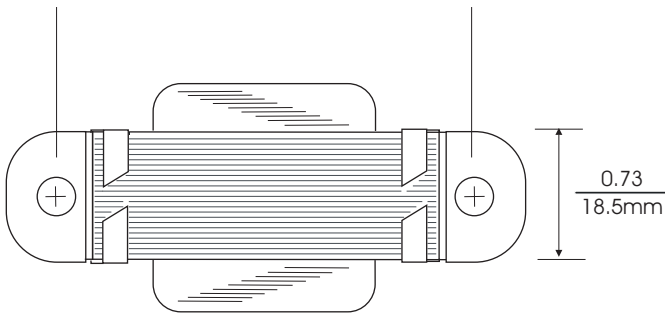
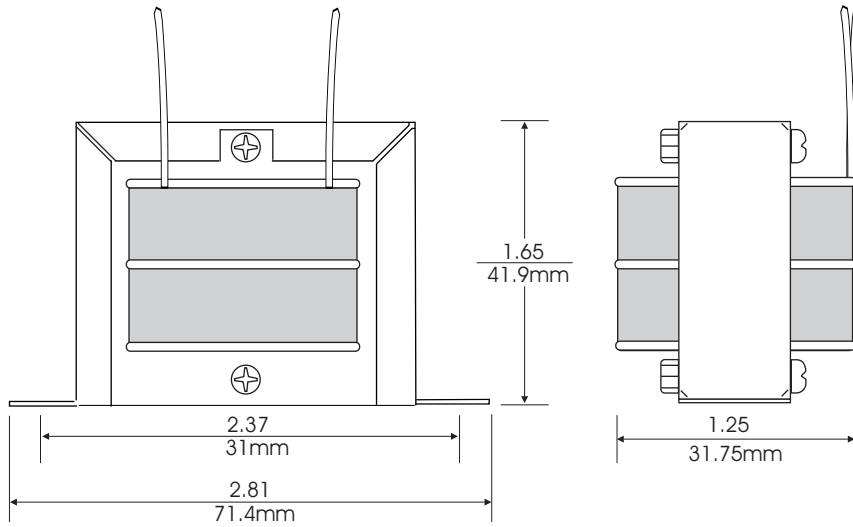


CML-22919

100H Nominal



4487 Ish Drive, Simi Valley, CA 93063
(818) 993-4644