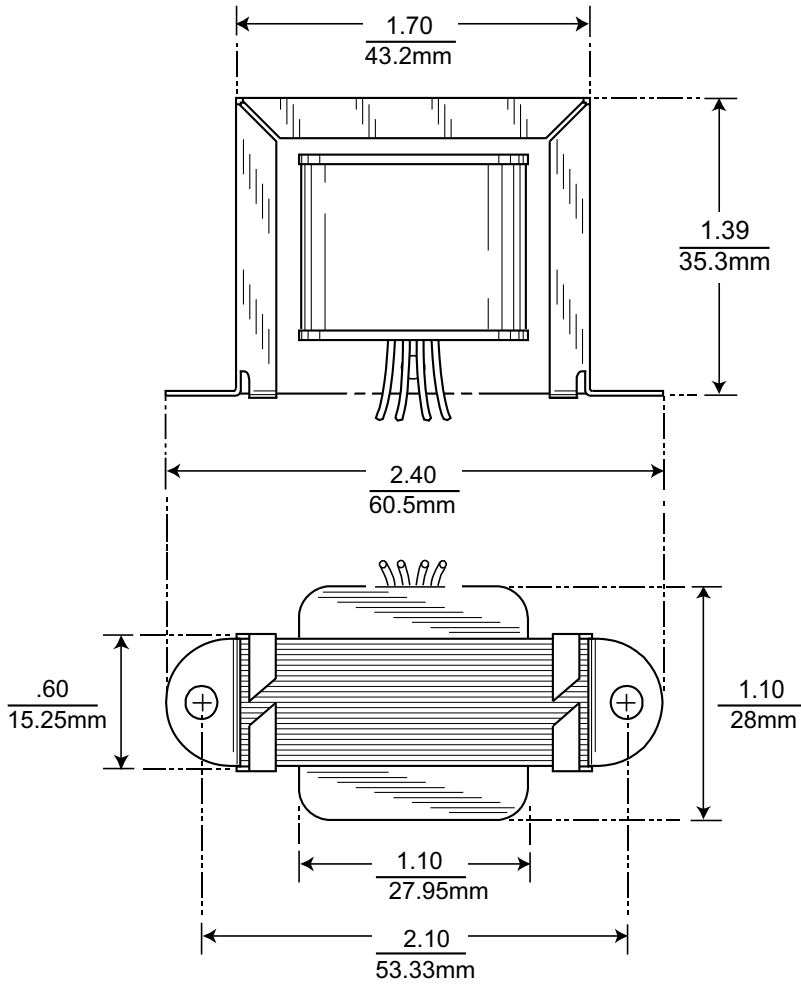


CML-7754 RE-LX-600
Phono Cutting Lathe Head EQ
0.60, .035, 0.28, 0.168, 0.084, 0.06, 1.40H



CML-7754



4487 Ish Drive, Simi Valley, CA 93063
(818) 993-4644