



REICHENBACH ENGINEERING

CM-75101A

Microphone Input Transformer 1 : 5/10 Step-up

- Good bandwidth
- 150/600:15K
- Very Good CMRR: -100 dB at 60 Hz
- Lead Package or p.c. mount

The CineMag CM-75101A was engineered to take either a microphone or line input at moderate levels. It has good bandwidth, very good common mode rejection ratio (CMRR), and good distortion characteristics. It is available with either lead wires or printed circuit pins. It is encased in a μ -metal can providing 30dB of magnetic shielding. All internal Faraday shields are spot welded to the shield wires for maximum long term reliability, as is so with all CineMag transformers.

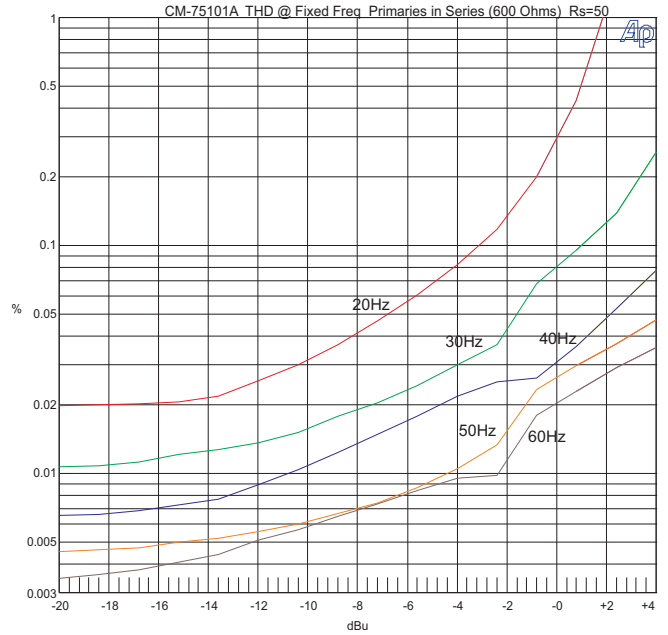
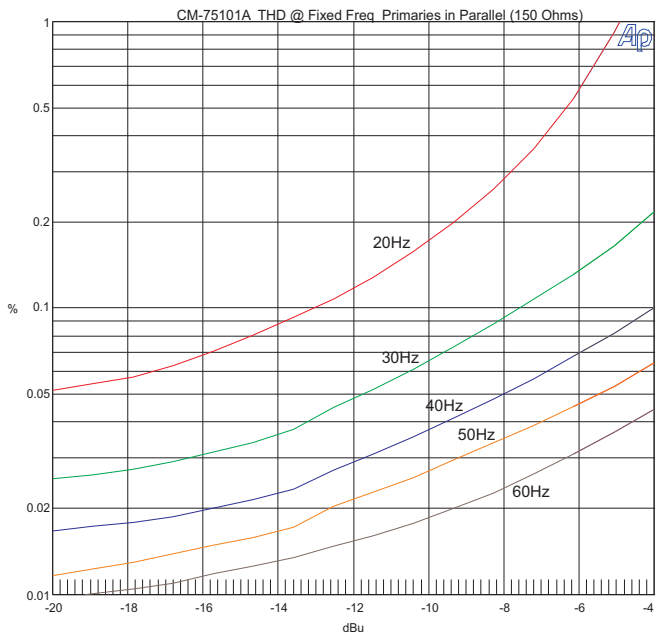
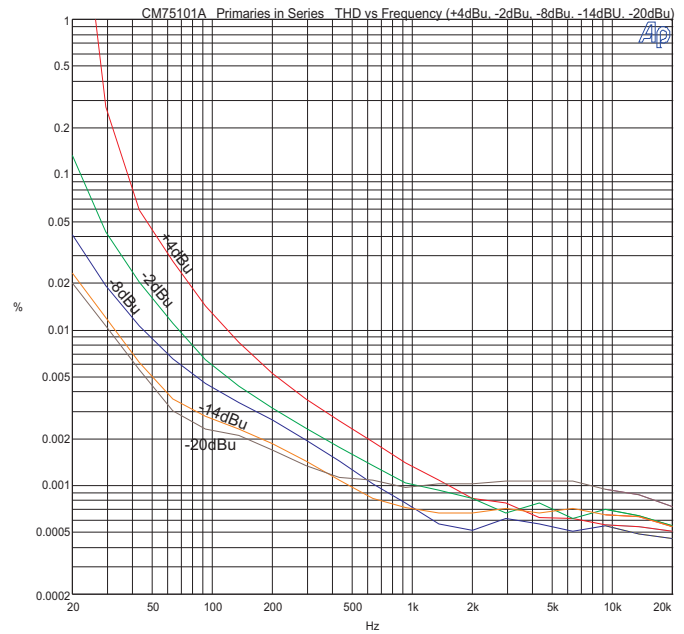
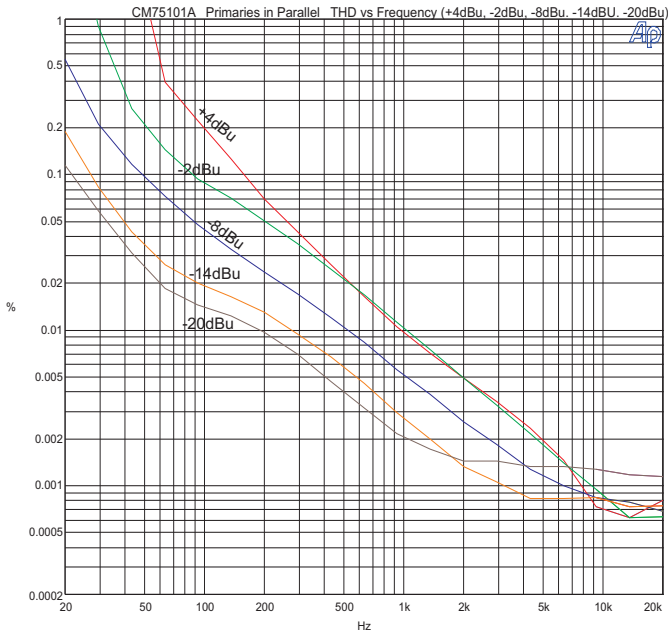
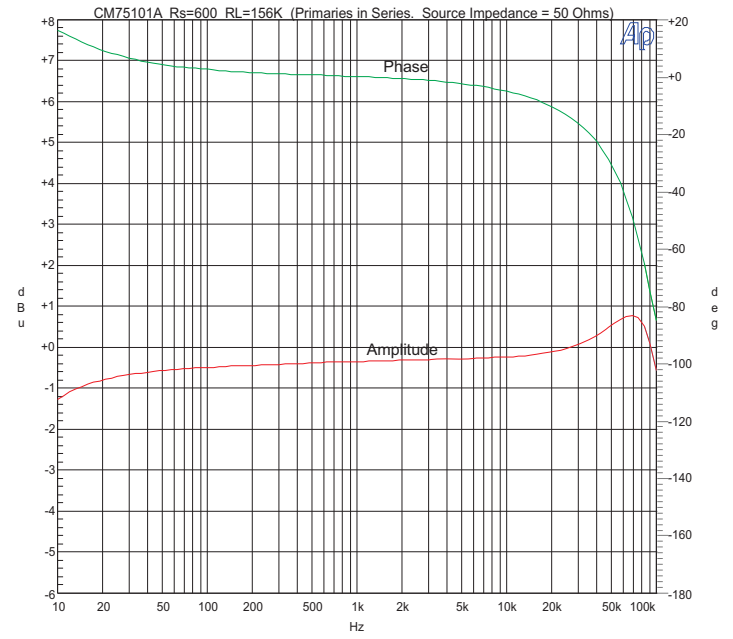
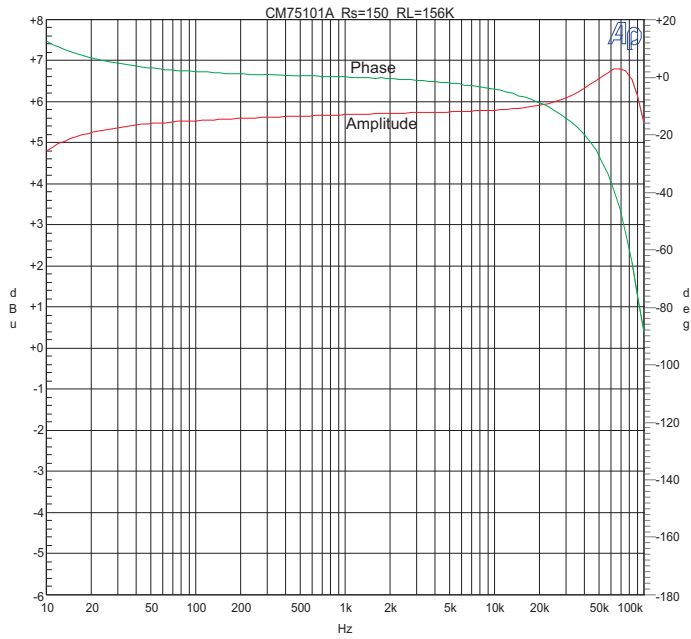
CM-75101A/CM-75101APC

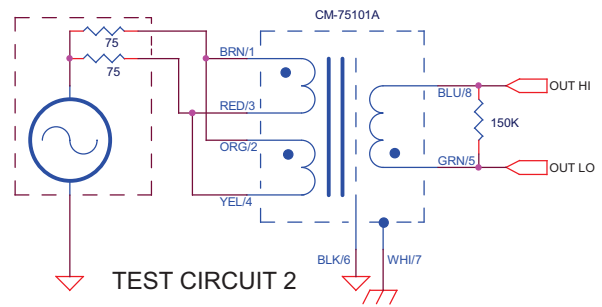
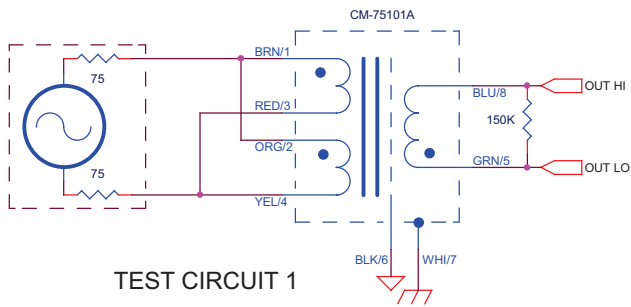
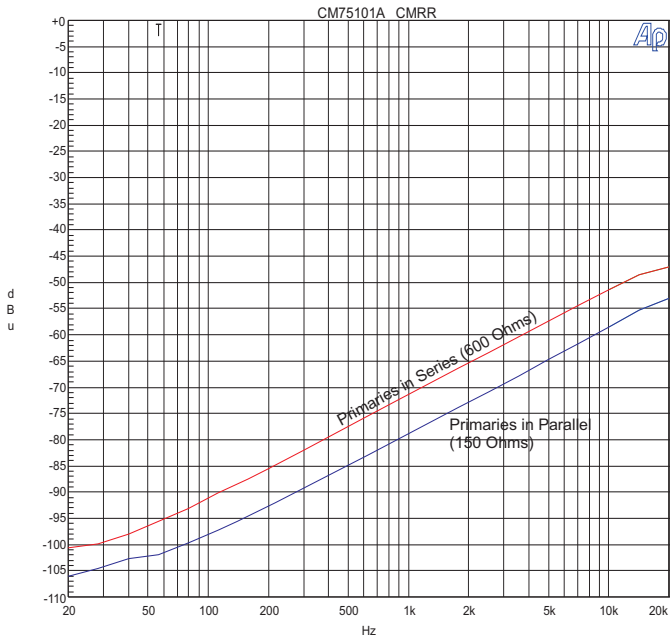
Parameter	Conditions	Typical 150:15K	
Turns Ratio		1 : 5.00/10.0	
Voltage Gain	1 kHz, -20 dBu 150 Ω input, 6.19K secondary load impedance	+19.75dB	
Distortion (THD+N%)	1 kHz, +4 dBu	Test circuit 1	0.01%
	20 Hz, -10 dBu	Test circuit 1	0.18%
Max 20 Hz input level	1.0% THD; Test Circuit 1	-5 dBu	
Response, ref 1 kHz	20 Hz	Test Circuit 1	-0.4 dB
	20 kHz	Test Circuit 1	+0.2 dB
Phase Shift at 20 Hz	Referenced to source generator Test Circuit 1		+6°
Phase Shift at 20 kHz			-8°
CMRR	60 Hz Test Circuit 2 per IEE Std 389-1996 ¶19		-102dB
	1 kHz Test Circuit 2 per IEE Std 389-1996 ¶19 Test Circuit 2		-72dB
Operating Temp Range	Operation and storage	0° C Min	70° C Max
Max Soldering Temp (p.c.)	10 Seconds		270° C Max

9050 Independence Ave., Canoga Park, California 91304

☎(818) 993-4644

<http://www.cinemag.biz>





NOTES:

1. All graphs generated from one (1) randomly chosen device. No statistical averaging or weighting. Data from one sweep.

