



Reichenbach Engineering



CMQEE-3440A / APC

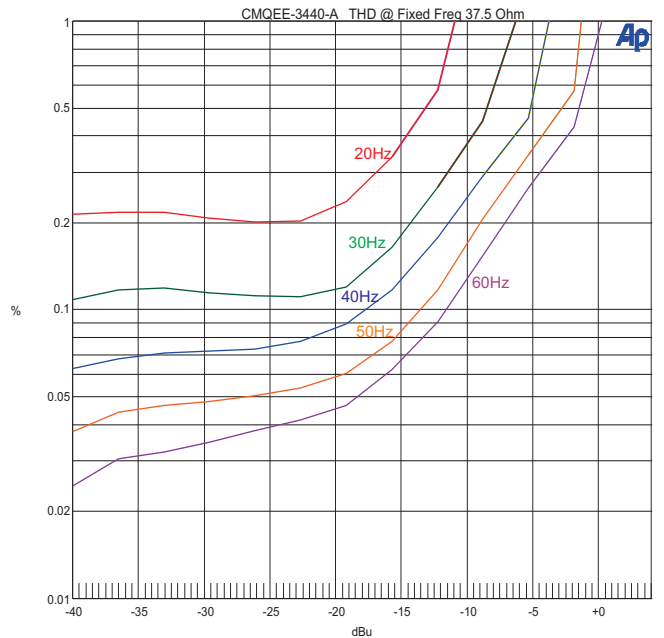
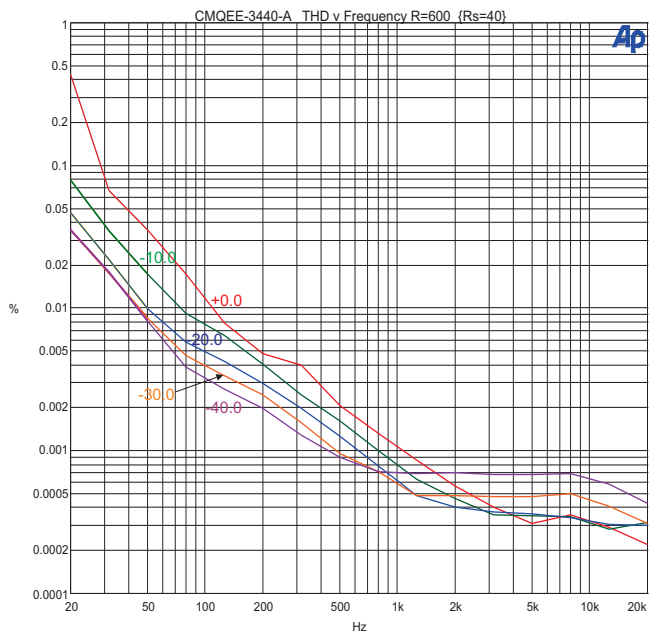
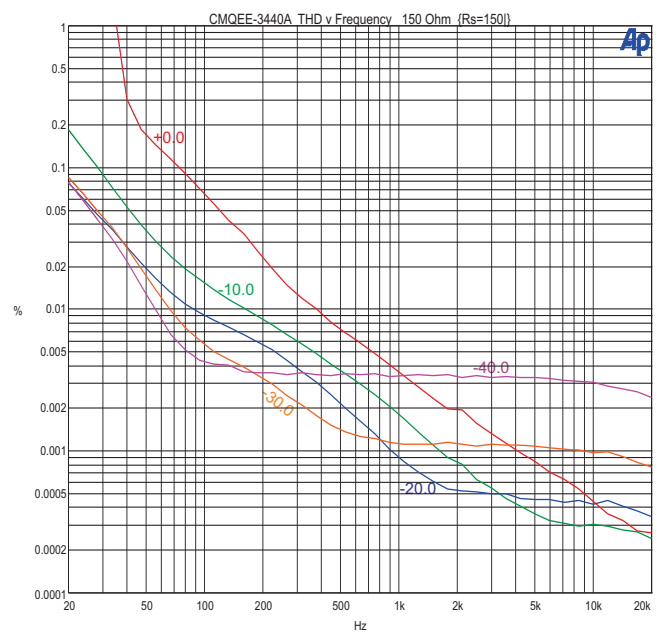
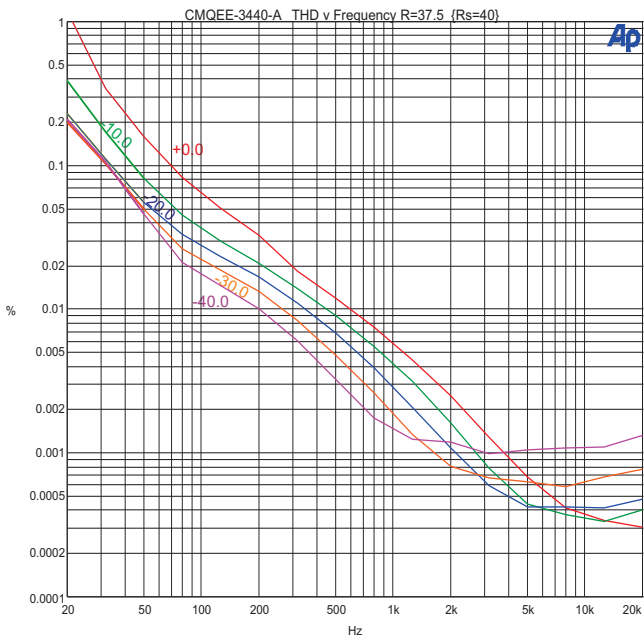
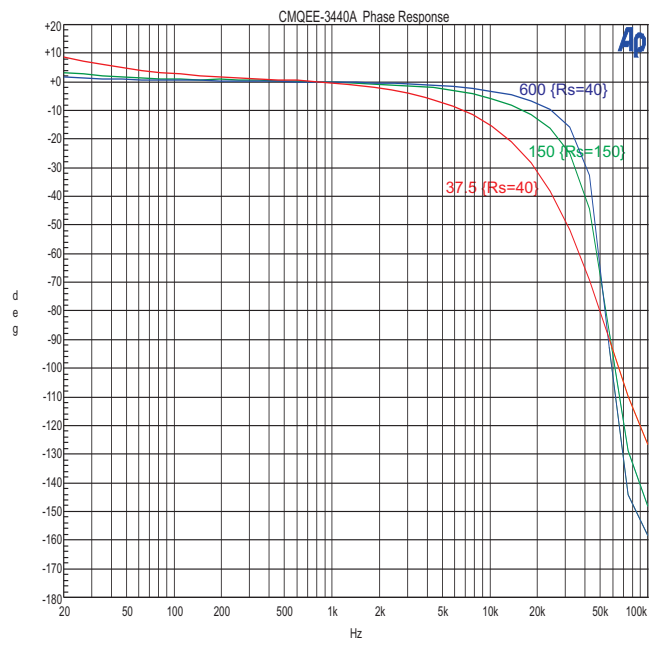
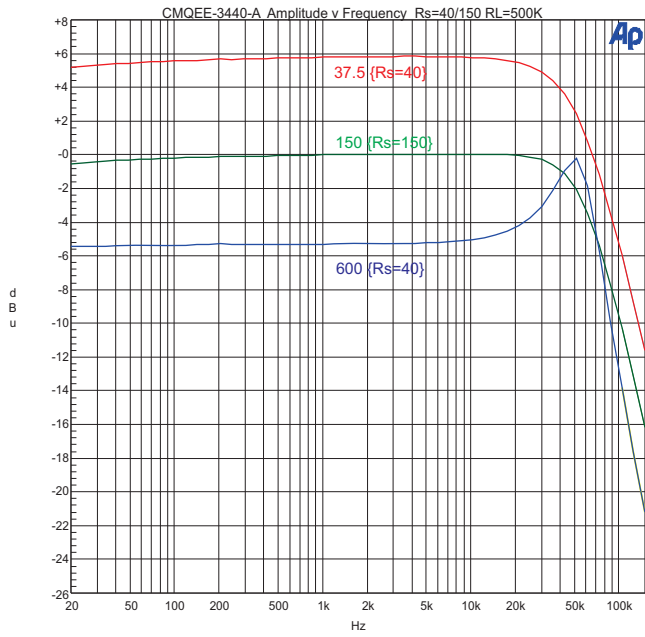
Microphone/Line Input Transformer/Phono 37.5 / 150 / 600 : 50K

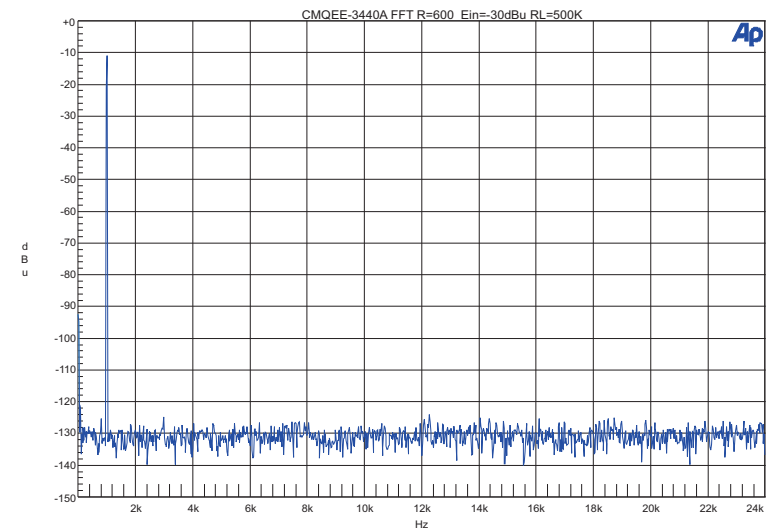
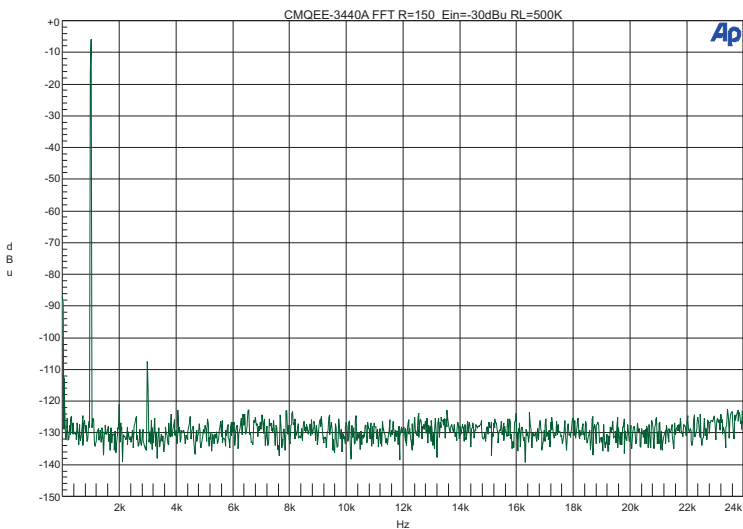
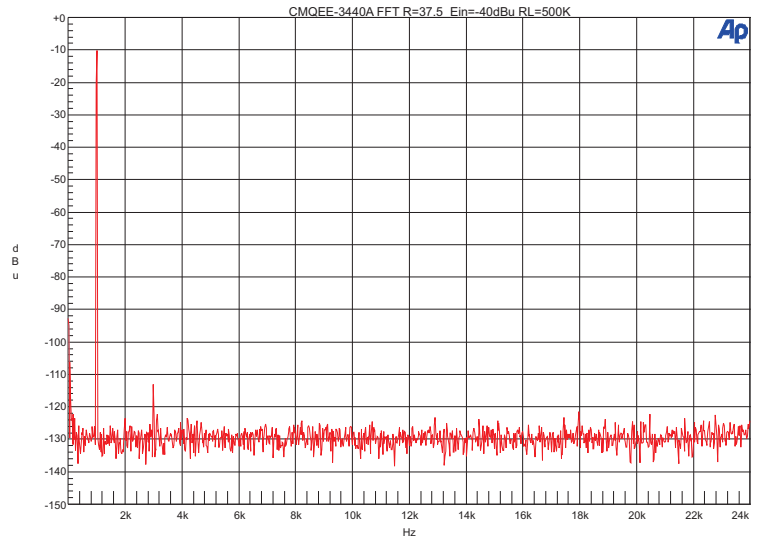
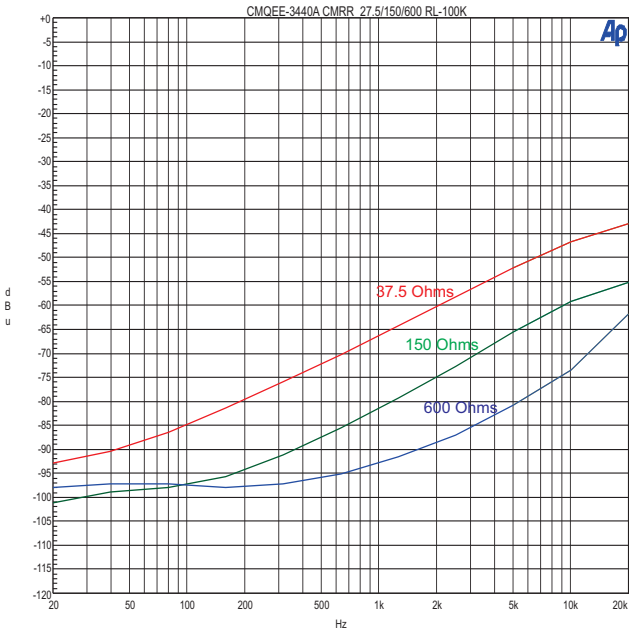
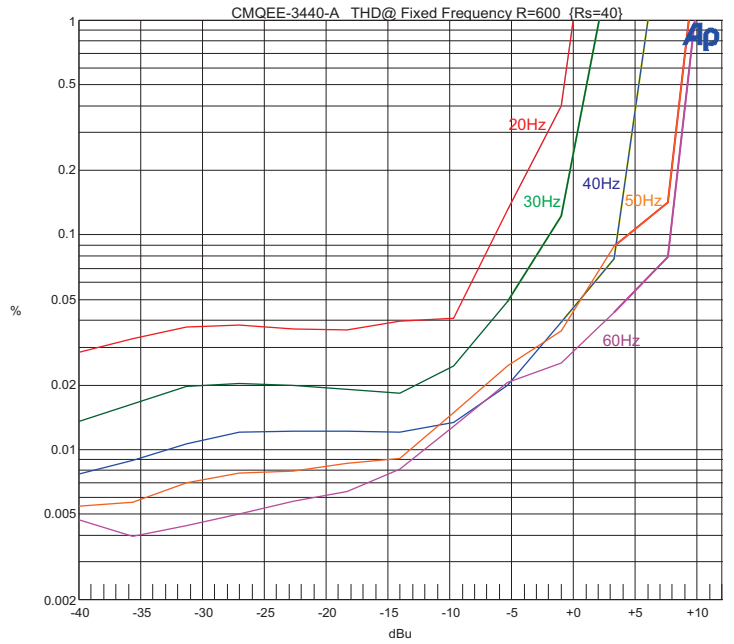
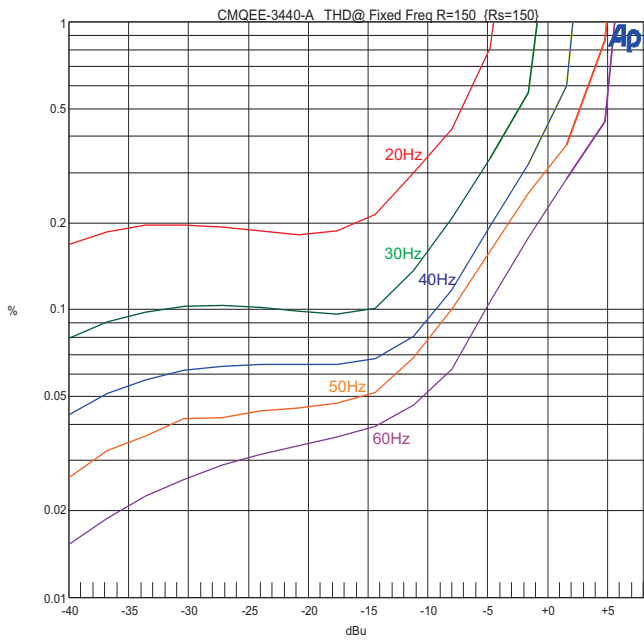
- Mic / Line / MC Phono Cartridge
- Available with laminations selected for MC phono cartridges (“H” suffix)
- Excellent bandwidth
- 37.5/150/600:50K Impedance ratio
- Excellent Bandwidth
- Very Good CMRR
- Lead Wires or PC mount

We originally designed the CMQEE-3440A for QuadEight Electronics for their preamplifiers and recording consoles on which many award winning recordings were made. It has “vintage” sonic characteristics. It has remained a favorite among professional electrical engineers for new equipment designs ever since our founder, Edward Reichenbach, engineered it in 1979. With high turns ratios to choose from, it has excellent bandwidth, very good common mode rejection ratio (CMRR), and good distortion characteristics. It is available with either wire leads or PC pins. It is encased in a μ -metal can providing ≥ 30 dB of magnetic shielding. All internal Faraday shield foil wires are spot welded for maximum long term reliability, as is done with all CineMag transformers.

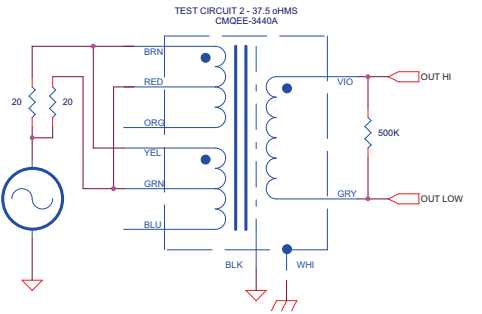
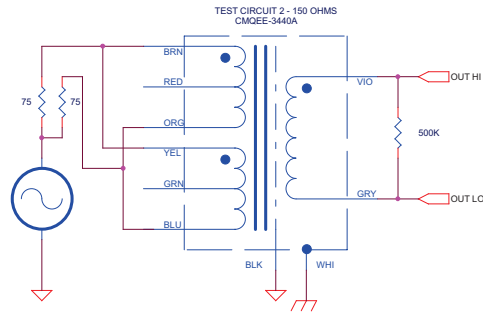
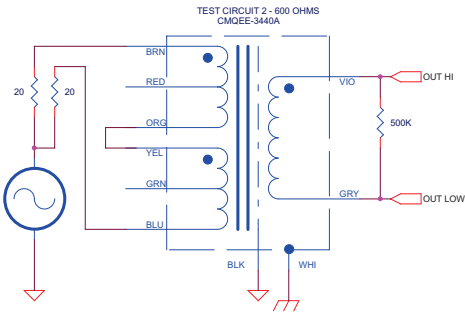
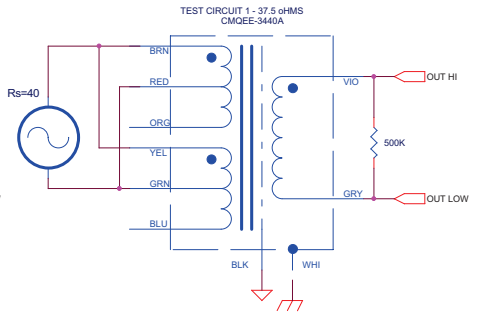
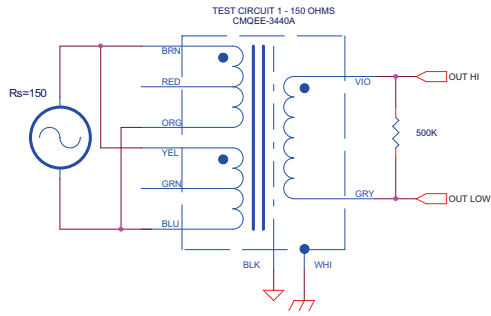
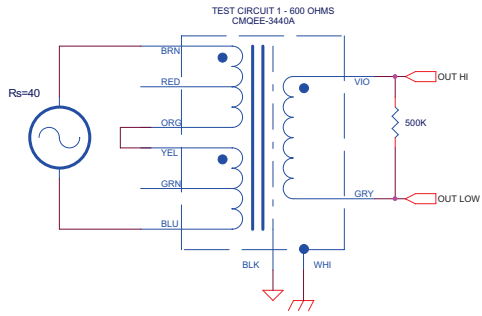
CMQEE-3440A/APC/H

Parameter	Conditions	Typ
Turns Ratio		1 : 36/18/9
Voltage Gain	1 kHz, -20 dBu 150 Ω hookup, 500K secondary load impedance	+24.8dB
Distortion (THD+N%) 150 Ohm hookup	1 kHz, +0 dBu Test circuit 1 20 Hz, -10 dBu Test circuit 1	0.02% 0.3%
Max 20 Hz input level 150 Ohm hookup	1.0% THD; Test Circuit 1	-5 dBu
Response, ref 1 kHz 150 Ohm hookup	20 Hz Test Circuit 1 20 kHz Test Circuit 1	-0.2 dB -0.0 dB
Phase Shift at 20 Hz Phase Shift at 20 kHz 150 Ohm hookup	Referenced to source signal generator Test Circuit 1	+4° -12°
CMRR	60 Hz Test Circuit 2 per IEE Std 389-1996 ¶19 1 kHz Test Circuit 2 per IEE Std 389-1996 ¶19	-96dB -80dB
Operating Temp Range	Operation and storage	0° C Min 70° C Max
Max Soldering Temp PC Pins	10 Seconds	270° C Max

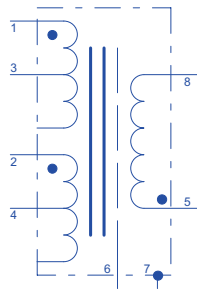




NOTE:
 1. All graphs generated from one (1) randomly chosen device. No statistical averaging or weighting. Data from one (1) sweep.



MC CARTRIDGE PHONO APPLICATIONS
CMQEE-3440AHPG



MIC/LINE APPLICATIONS
CMQEE-3440APC-600

