



Superior Magnetics Since 1979



# CMMS-2

## Microphone Bridging Transformer Dual Independent Faraday Shields

- Bridges microphone signal to balanced output
- Eliminates ground loops
- Excellent frequency response
- Very Good CMRR

The CMMS-2 is designed to receive a 150Ω microphone source and provide a single isolated balanced output. It exhibits very good bandwidth, common mode rejection ratio (CMRR), and distortion characteristics. It is encased in a μMetal can which provides 30 dB of magnetic shielding. As with all CineMag transformers, the wires from the internal foil shields between windings are all spot welded for maximum long term reliability. This transformer is provided with lead wires and may be ordered with either a threaded bushing, or with studs for mounting, or with mounting holes for self-tapping screws.

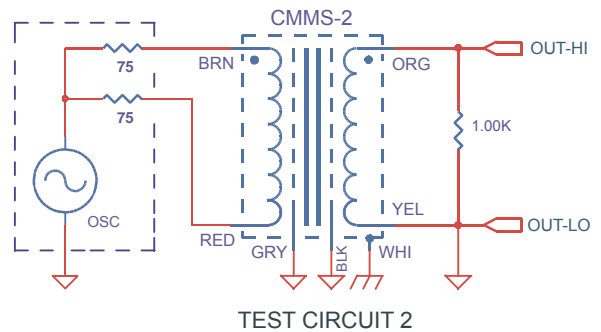
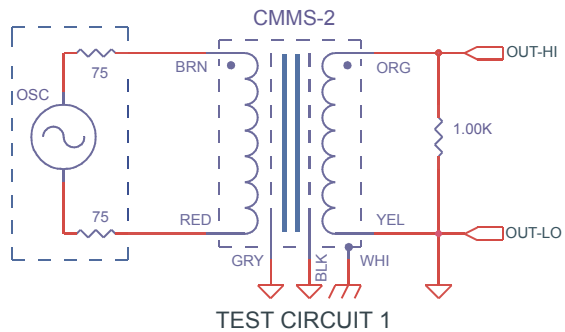
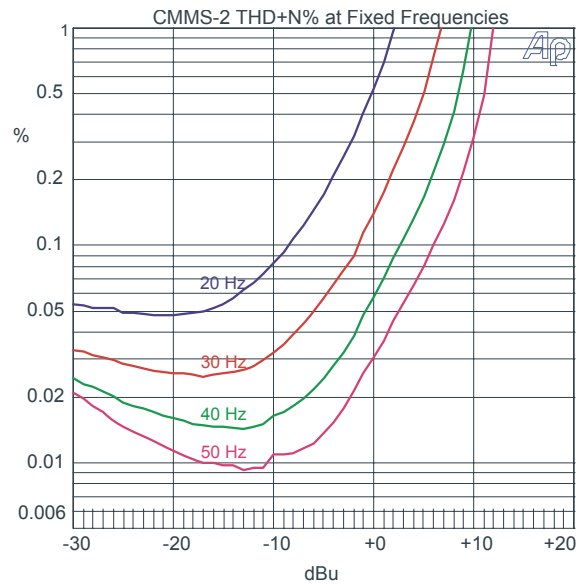
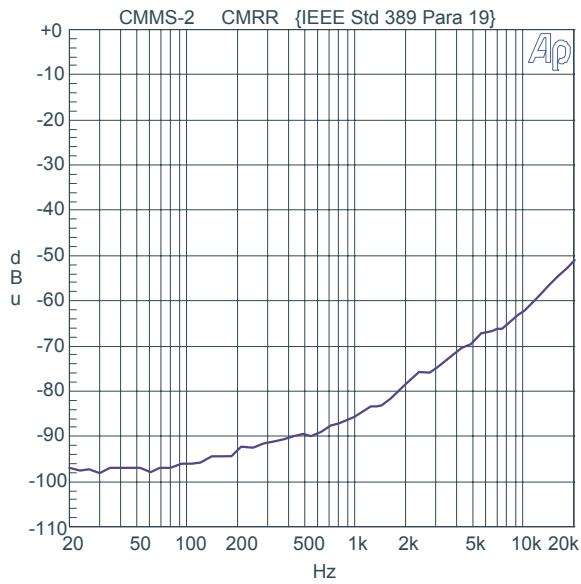
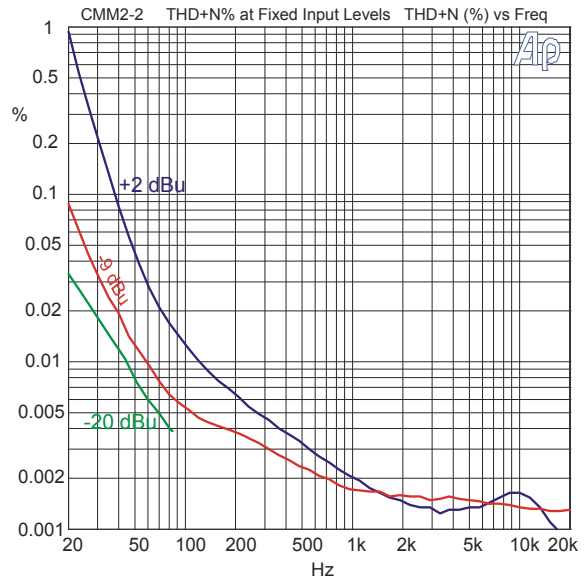
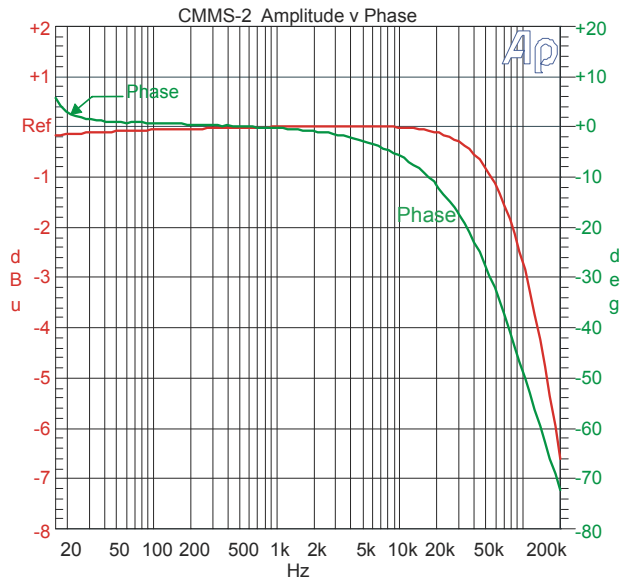
### CMMS-2

Parameter	Conditions	Typ
Turns Ratio		1 : 1.00
Input impedance, Zi	1 kHz, -20 dBu Test Circuit 1	578Ω
Voltage Gain	1 kHz, -20 dBu Test Circuit 1	-1.2 dB
Distortion (THD+N%)	1 kHz, +2 dBu 20 Hz, -20 dBu Test Circuit 1 Test Circuit 1	0.002% 0.05%
Max 20 Hz input level	0.5% THD 1.0% Test Circuit 1	+0 dBu +2 dBu
Response, ref 1 kHz	20 Hz, -20 dBu 20 kHz, -20 dBu -3 dBu Test Circuit 1	-0.2 dBu -0.2 dBu 110 kHz
Phase Shift at 20Hz Phase Shift at 20 kHz	Referenced to source generator Test Circuit 1	+3° -12°
CMRR	60 Hz Test Circuit 2 per IEEE Std 389-1996 ¶19) 3 kHz Test Circuit 2 per IEEE Std 389-1996 ¶19)	95 dB 75 dB
Operating Temp Range	Operation and storage	0° C Min      70° C Max

9050 Independence Ave. Canoga Park, California 91304

☎(818) 993-4644 ☎ (818) 993-4604

<http://www.cinemag.biz>



**NOTES:**

1. All graphs generated from one (1) randomly chosen Device Under Test (D.U.T.). No statistical averaging or weighting. Data from one sweep.

