



Superior Magnetics Since 1979



CMMS-3

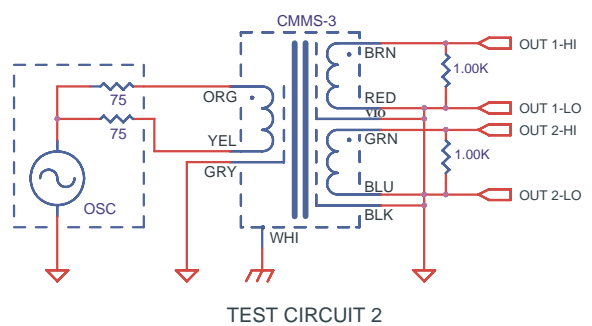
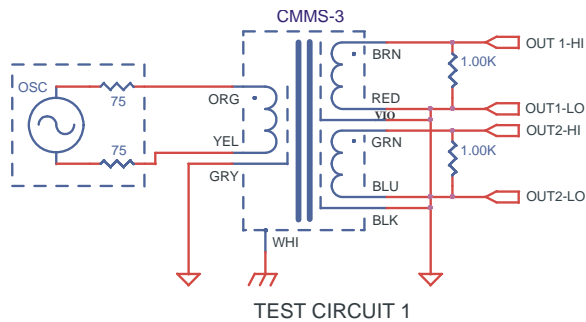
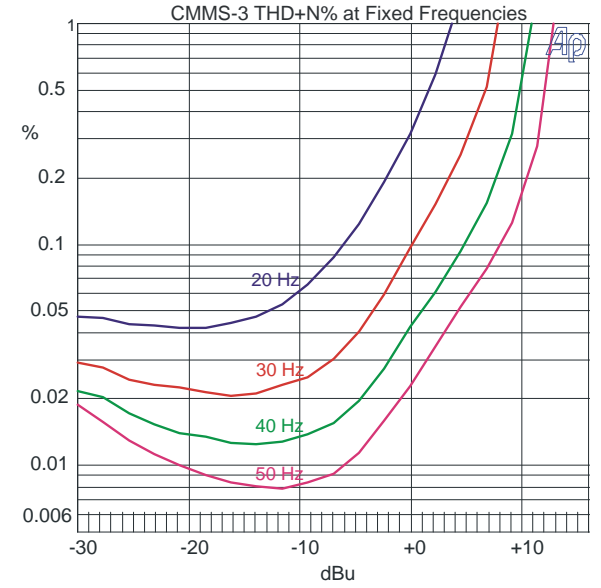
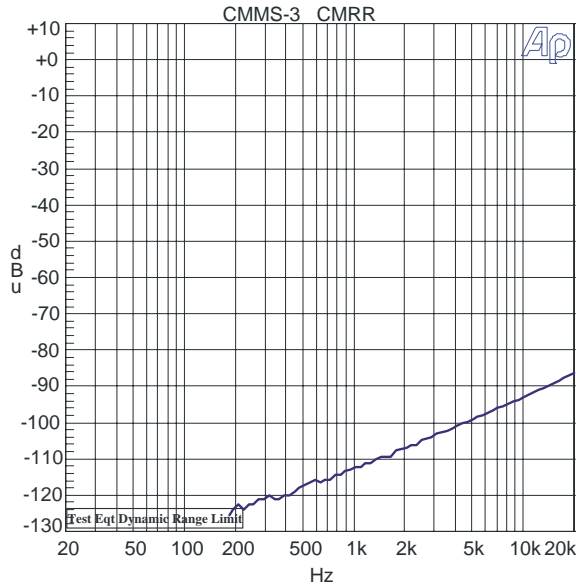
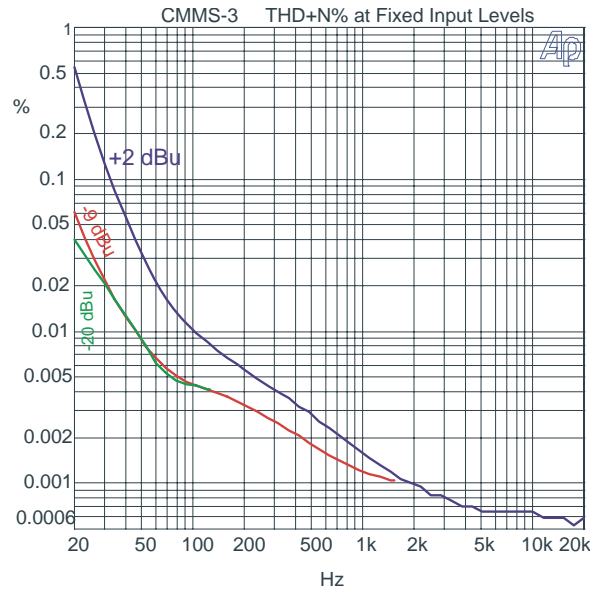
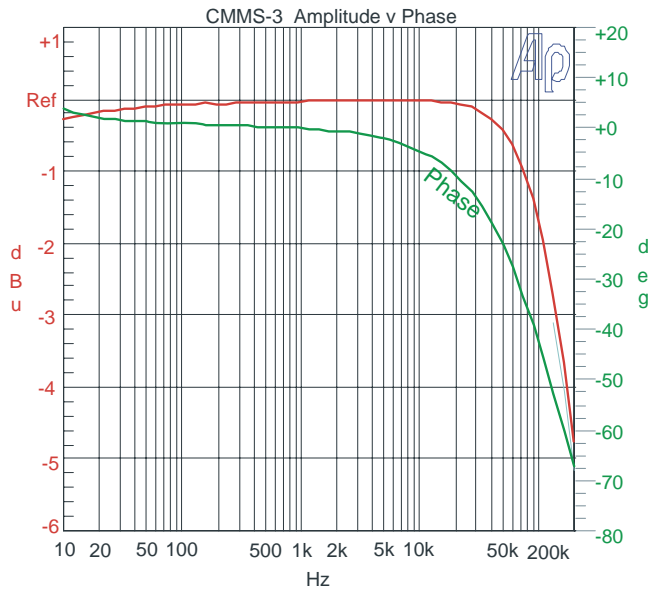
Microphone Bridging Transformer Triple Independent Faraday Shields

- Splits mic signal into two isolated balanced outputs
- Eliminates ground loops when one mic feeds two preamps
- Excellent frequency response
- Excellent CMRR

The CMMS-3 is designed to receive a 150Ω microphone source and split it into two independent 150Ω outputs. It exhibits very good bandwidth, common mode rejection ratio (CMRR), and distortion characteristics. It is encased in a μMetal can which provides 30 dB of magnetic shielding. As with all CineMag transformers, the wires from the internal foil shields between windings are all spot welded for maximum long term reliability. This transformer is provided with lead wires and may be ordered with either a threaded bushing or with studs for mounting.

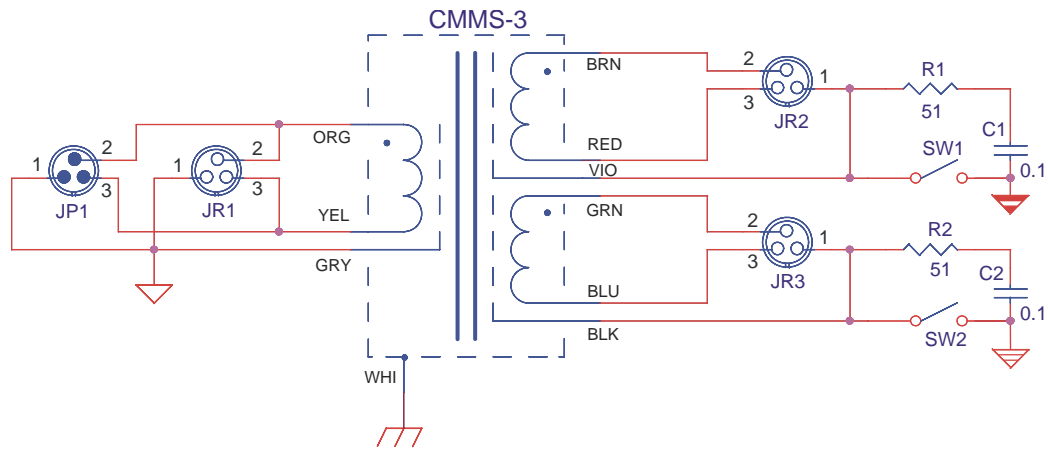
CMMS-3

Parameter	Conditions	Typ
Turns Ratio		1 : 1.00 : 1.00
Input impedance, Zi	1 kHz, -20 dBu Test Circuit 1	578Ω
Voltage Gain	1 kHz, -20 dBu Test Circuit 1	-1.2 dB
Distortion (THD+N%)	1 kHz, -20 dBu Test Circuit 1 20 Hz, -20 dBu Test Circuit 1	0.0013% 0.04%
Max 20 Hz input level	0.5% THD Test Circuit 1 1.0%	+2 dBu +3 dBu
Response, ref 1 kHz	20 Hz -20 dBu Test Circuit 1 20 kHz -20 dBu Test Circuit 1 -3 dBu	-0.17 dBu -0.01 dBu 160 kHz
Phase Shift at 20kHz	Referenced to source generator Test Circuit 1	-9°
CMRR	60 Hz, Test Circuit 2 per IEE Std 389-1996 ¶19 3 kHz, Test Circuit 2 per IEE Std 389-1996 ¶19	>120 dB >105 dB
Operating Temp Range	Operation and storage	0° C Min 70° C Max



NOTES:

1. All graphs generated from one (1) randomly chosen device. No statistical averaging or weighting. Data from one sweep.



TYPICAL APPLICATION

